

1

2

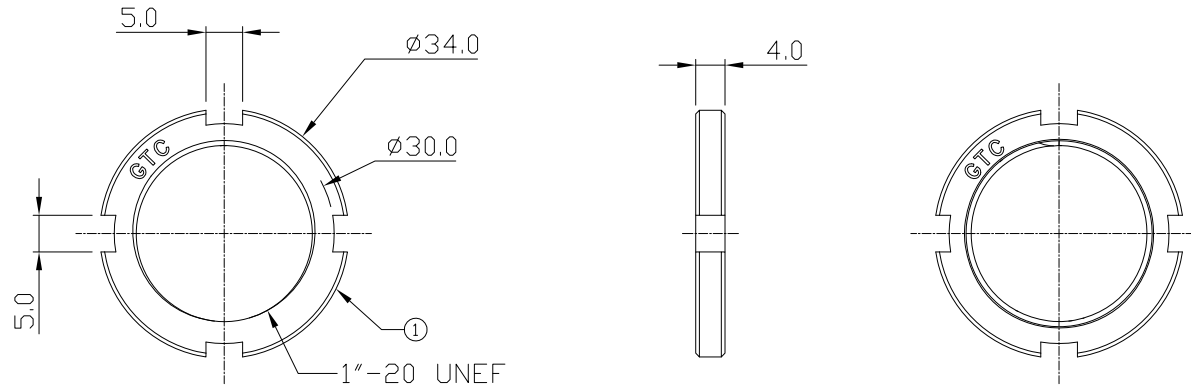
3

4

Notes: (Unless Otherwise Specified)

1. RoHS Compliant.

REV	ECN#	DESCRIPTION OF REVISION	DRAW BY DATE	CHECK BY DATE	APPROVE BY DATE
01		PRELIMINARY	Joyce 07/24/17	Lucas 07/24/17	Ray 07/24/17



Item	Part Name	Material / Finish	Q'ty
1	Spanner Nut	Thermoplastic Color: Black	1

TITLE					DRAWING NUMBER			REV.
C4 Spanner Nut					GT66154-00020			01
	N/A	Joyce 07/24/17	Lucas 07/24/17	Ray 07/24/17	X.X ± 0.5 X.XX ± 0.2	X.XXX ± 0.05 ANGLES ± 1°	mm	1/1
THIRD ANGLE PROJECTION	SCALE	DRAFTER / DATE	CHECK / DATE	APPROVE / DATE	TOLERANCES		UNIT	SHEET

GT Contact CO.,LTD

NOTICE OF PROPRIETARY PROPERTY:
 THE INFORMATION CONTAINED HEREIN IS THE PROPRIETARY PROPERTY OF GT Contact CO.,LTD THE POSSESSOR AGREES TO THE FOLLOWING:
 (D) TO MAINTAIN THIS DOCUMENT IN CONFIDENCE
 (D) NOT TO REPRODUCE OR COPY IT
 (D) NOT TO REVEAL OR PUBLISH IT IN WHOLE OR PART
 (D) ALL RIGHTS RESERVED

1

2

3

4