

1

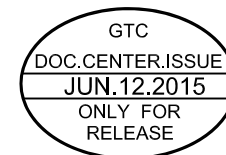
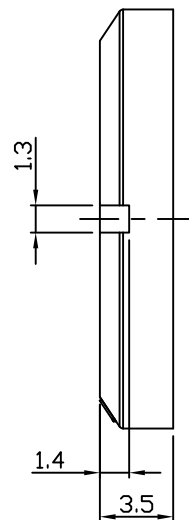
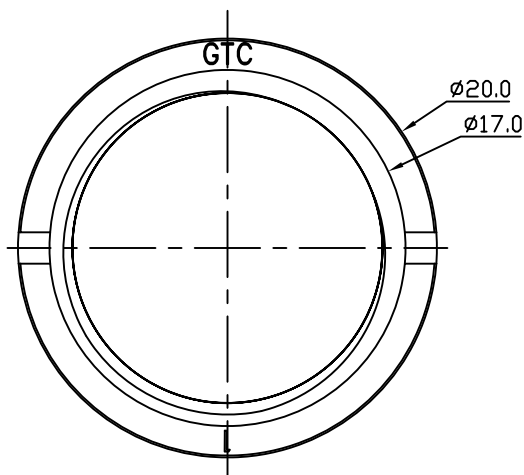
2

3

4

Note:
1.RoHS Compliant.

REV	ECN#	DESCRIPTION OF REVISION	DRAW BY DATE	CHECK BY DATE	APPVD BY DATE
A0		Mass Production	Lucas 06/11/15	Lucas 06/11/15	Ray 06/11/15



1	Spanner Nut	PA66+30%GF Color: Black	1
Item	Part Name	Material / Finish	Q'ty

TITLE C2 Spanner Nut					DRAWING NUMBER GT66152-00030		REV. A0
	2/1	Lucas 06/11/15	Lucas 06/11/15	Ray 06/11/15	ALL ANGLES ± 0.5 $\pm 1^\circ$	mm	1/1
THIRD ANGLE PROJECTION	SCALE	DRAFTER / DATE	CHECK / DATE	APPROVE / DATE	TOLERANCES	UNIT	SHEET

GT Contact CO.,LTD

NOTICE OF PROPRIETARY PROPERTY:
THE INFORMATION CONTAINED HEREIN IS THE PROPRIETARY PROPERTY OF GT Contact CO.,LTD THE POSSESSOR AGREES TO THE FOLLOWING:
(a) TO MAINTAIN THIS DOCUMENT IN CONFIDENCE
(b) NOT TO REPRODUCE OR COPY IT
(c) NOT TO REVEAL OR PUBLISH IT IN WHOLE OR PART
(d) ALL RIGHTS RESERVED

1

2

3

4

D

D

C

C

B

B

A

A