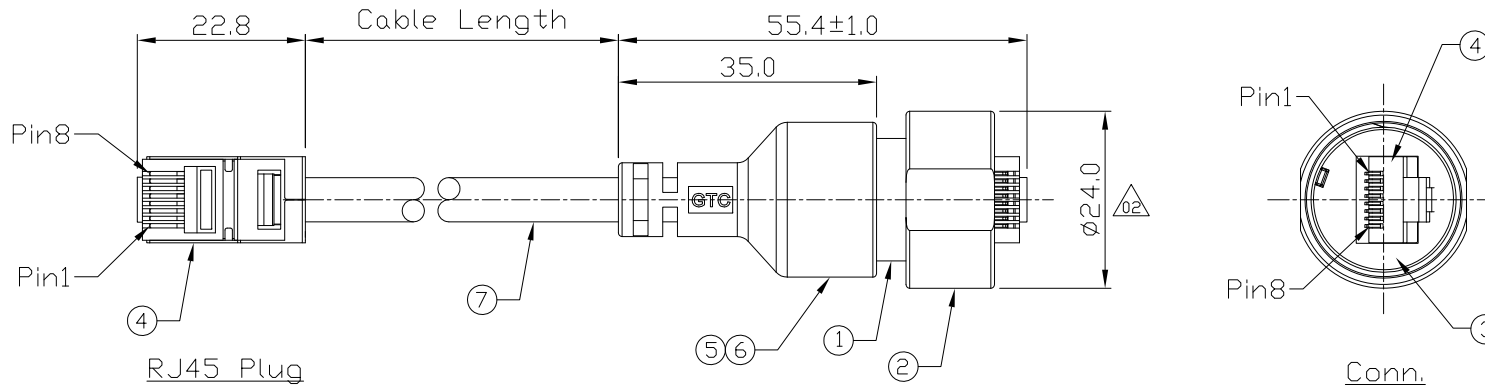


Notes: (Unless Otherwise Specified)  
 1. Waterproof Rate: IP68.  
 2. RoHS Compliant.

REV	ECN#	DESCRIPTION OF REVISION	DRAW BY DATE	CHECK BY DATE	APPROVE BY DATE
02	ECN-230331	25mm->24mm	Lucas 03/25/23	Lucas 03/25/23	Ray 03/25/23



GT625520-06-10	10000 mm	+500
GT625520-06-09	9000 mm	+450
GT625520-06-08	8000 mm	+400
GT625520-06-07	7000 mm	+150
GT625520-06-06	6000 mm	+150
GT625520-06-05	5000 mm	+150
GT625520-06-04	4000 mm	+150
GT625520-06-03	3000 mm	+100
GT625520-06-02	2000 mm	+100
GT625520-06-01	1000 mm	+50
GT625520-06-29	900 mm	+50
GT625520-06-28	800 mm	+50
GT625520-06-27	700 mm	+50
GT625520-06-26	600 mm	+50
GT625520-06-25	500 mm	+50
GT625520-06-24	400 mm	+50
GT625520-06-23	300 mm	+25
GT625520-06-22	200 mm	+25
GT625520-06-21	100 mm	+25
Part No.	Cable Length	Tol.



Item	Part Name	Material / Finish	QTY
7	Cable	CAT5E 24AWG*4P+AL/My+D Color: Black, OD=6.0mm	1
6	Over Mold	PVC Color: Black	1
5	Inner Mold	Thermoplastic Color: Black Or White	1
4	RJ45 Plug	Housing: Thermoplastic, Color: Clear Contacts: Copper Alloy, Finish: Au Plated Shell: Cold Roll Steel, Finish: Ni Plated	2
3	Rubber Pad	Silicone Color: Black	1
2	Screw Nut	SUS316 Finish: -	1
1	Housing	Thermoplastic Color: Black	1

Wiring Diagram

TITLE						DRAWING NUMBER			REV.
RJ45 Stainless C3 Shielded Cable End Plug Screw With RJ45 Plug						GT625520-06-XX			02
THIRD ANGLE PROJECTION	SIZE	SCALE	DRAW / DATE	CHECK / DATE	APPROVE / DATE	TOLERANCES	UNIT	SHEET	
DD NOT SCALE DRAWINGS	B	1:1	Lucas 10/07/22	Lucas 10/07/22	Ray 10/07/22	X.X ± 0.5 X.XX ± 0.2	X.XXX ± 0.05 ANGLES ± 1°	mm 1/1	

GT Contact CO.,LTD

NOTICE OF PROPRIETARY PROPERTY:  
 THE INFORMATION CONTAINED HEREIN IS THE PROPRIETARY PROPERTY OF GT Contact CO.,LTD THE POSSESSOR AGREES TO THE FOLLOWING:  
 (A) TO MAINTAIN THIS DOCUMENT IN CONFIDENCE  
 (B) NOT TO REPRODUCE OR COPY IT  
 (C) NOT TO REVEAL OR PUBLISH IT IN WHOLE OR PART  
 (D) ALL RIGHTS RESERVED