

1

2

3

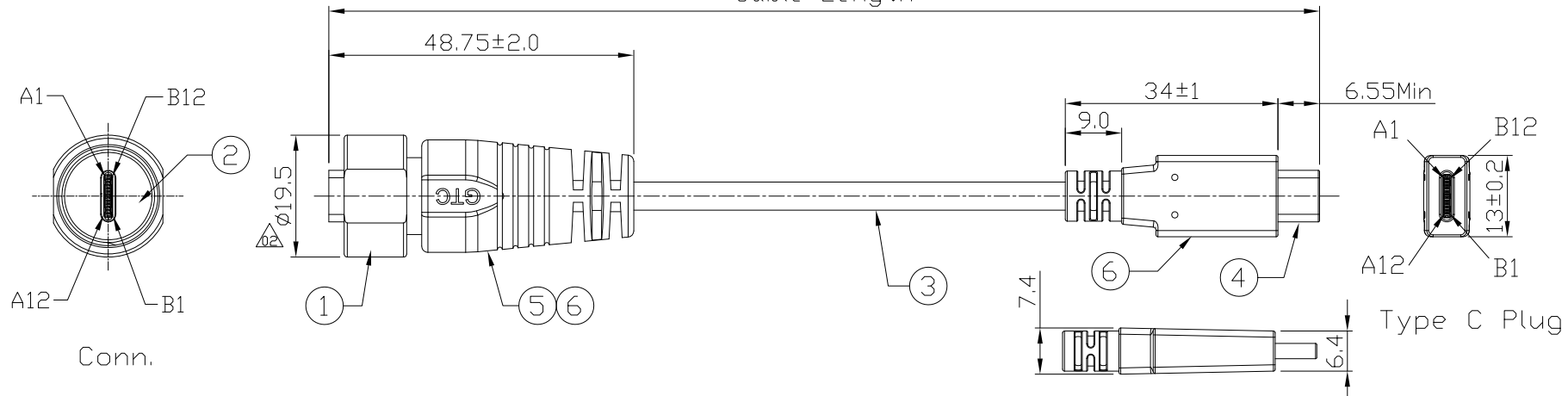
4

Notes: (Unless Otherwise Specified)

- 1. Waterproof Rate: IP68.
- 2. RoHS Compliant.
- 3. Type C - Pin Out Is The Same As This Drawing.
- 4. UL Certification file #E364108.

REV	ECN#	DESCRIPTION OF REVISION	DRAW BY DATE	CHECK BY DATE	APPROVE BY DATE
02	ECN-230328	20mm=>19.5mm	Lucas 03/23/23	Lucas 03/23/23	Ray 03/23/23

Cable Length



GT61C320-01-02	2000 mm	+100
GT61C320-01-01	1000 mm	+50
GT61C320-01-29	900 mm	+50
GT61C320-01-28	800 mm	+50
GT61C320-01-27	700 mm	+50
GT61C320-01-26	600 mm	+50
GT61C320-01-25	500 mm	+50
GT61C320-01-24	400 mm	+50
GT61C320-01-23	300 mm	+25
GT61C320-01-22	200 mm	+25
Part No.	Cable Length	Tol.

GTC
DOC.CENTER.ISSUE
MAR.23.2023
ONLY FOR
RELEASE

6	Over Mold	PVC Color: Black	2
5	Inner Mold	PVC Color: Black	1
4	USB Type C 3.1	Housing: Thermoplastic, Color: Black Contacts: Copper Alloy, Finish: Au Plated Shell: Stainless Steel, Finish: Au Plated	1
3	Cable	UL21572 (1P/32#+EAM)*4+(1P/32#+A)+(4C/32#+)+1C/24#+)+2EAB 85% OD:4.8mm BLACK TPE JACKET.	1
2	Rubber Pad	Silicone Color: Black	1
1	Screw Nut	SUS316 Finish: -	1
Item	Part Name	Material / Finish	Q'ty

TITLE					DRAWING NUMBER				REV.
USB 3.1 Type C Stainless C2 Cable End Plug Screw With Type C Plug					GT61C320-01-XX				02
THIRD ANGLE PROJECTION	SIZE	SCALE	DRAW / DATE	CHECK / DATE	APPROVE / DATE	TOLERANCES		UNIT	SHEET
	B	1:1	Lucas 09/30/22	Lucas 09/30/22	Ray 09/30/22	X.X ± 0.5 X.XX ± 0.2	X.XXX ± 0.05 ANGLES ± 1°	mm	1/3

GT Contact CO.,LTD

NOTICE OF PROPRIETARY PROPERTY:
THE INFORMATION CONTAINED HEREIN IS THE PROPRIETARY PROPERTY OF GT Contact CO.,LTD THE POSSESSOR AGREES TO THE FOLLOWING:
(1) TO MAINTAIN THIS DOCUMENT IN CONFIDENCE
(2) NOT TO REPRODUCE OR COPY IT
(3) NOT TO REVEAL OR PUBLISH IT IN WHOLE OR PART
(4) ALL RIGHTS RESERVED

1

2

3

4

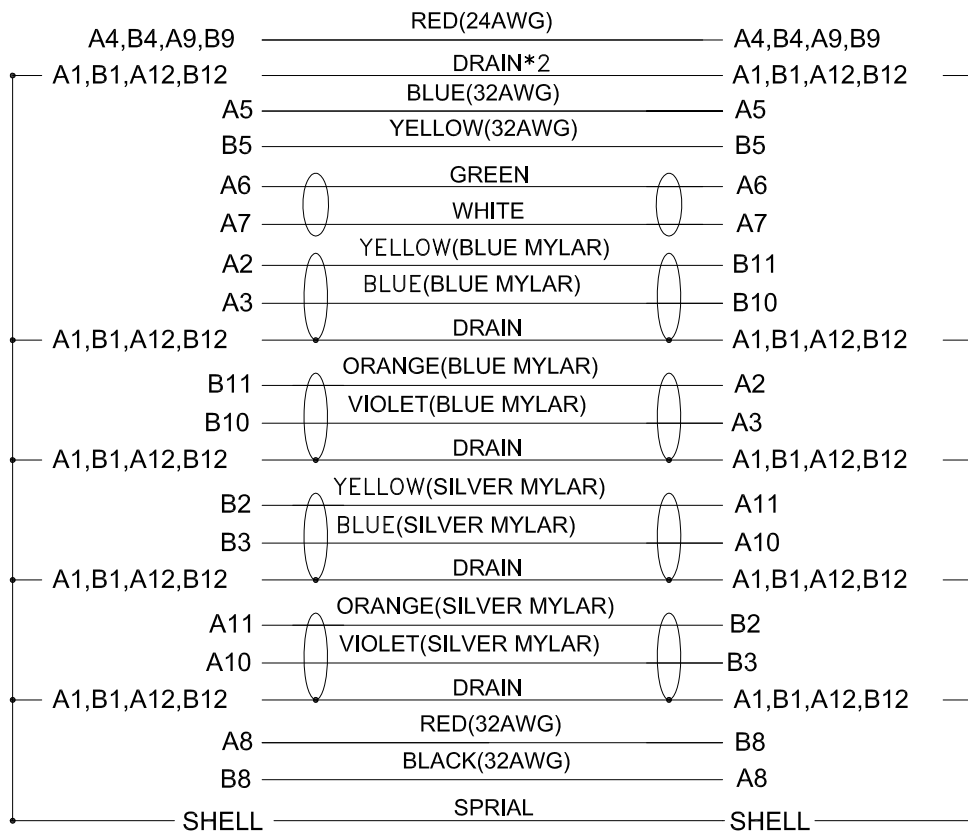
1

2

3

4

REV	ECN#	DESCRIPTION OF REVISION	DRAW BY DATE	CHECK BY DATE	APPROVE BY DATE
02	ECN-230328	20mm->19.5mm	Lucas 03/23/23	Lucas 03/23/23	Ray 03/23/23



Conn.

Type C Plug

Wiring Diagram



GT Contact CO.,LTD

NOTICE OF PROPRIETARY PROPERTY:
 THE INFORMATION CONTAINED HEREIN IS THE PROPRIETARY PROPERTY OF GT Contact CO.,LTD THE POSSESSOR AGREES TO THE FOLLOWING:
 (i) TO MAINTAIN THIS DOCUMENT IN CONFIDENCE
 (ii) NOT TO REPRODUCE OR COPY IT
 (iii) NOT TO REVEAL OR PUBLISH IT IN WHOLE OR PART
 (iv) ALL RIGHTS RESERVED

TITLE					DRAWING NUMBER			REV.	
USB 3.1 Type C Stainless C2 Cable End Plug Screw With Type C Plug					GT61C320-01-XX			02	
	B	1:1	Lucas 09/30/22	Lucas 09/30/22	Ray 09/30/22	X.X ± 0.5 X.XX ± 0.2	X.XXX ± 0.05 ANGLES ± 1°	mm	2/3
THIRD ANGLE PROJECTION	SIZE	SCALE	DRAW / DATE	CHECK / DATE	APPROVE / DATE	TOLERANCES		UNIT	SHEET

1

2

3

4

1

2

3

4

REV	ECN#	DESCRIPTION OF REVISION	DRAW BY DATE	CHECK BY DATE	APPROVE BY DATE
02	ECN-230328	20mm=>19.5mm	Lucas 03/23/23	Lucas 03/23/23	Ray 03/23/23

***CONSTRUCTION:

1.CABLE:

* UL21572(1P/32#+EAM)*4+(1P/32#+A)+(4C/32#)+(1C/24#)+2EAB 85%
 OD:4.8mm BLACK TPE JACKET.

***CONNECTOR:

2.USB C/M:

* USB TYPE C MALE SOLDER TYPE,PCB WITHOUT IC,
 * PINS: 30u GOLD PLATED OVER NICKEL.
 * INSULATOR: BLACK THEMOPLASTIC 94V-0 RATED.
 * SHELL: STEEL WITH GOLD PALTED.
 * COVER: STEEL WITH NI PALTED.
 * CAPACITOR.
 * MOLDED: BLACK PVC 45P.

3.USB C/M:

* USB TYPE C MALE SOLDER TYPE,PCB WITH IC,
 * PINS: 30u GOLD PLATED OVER NICKEL.
 * INSULATOR: BLACK THEMOPLASTIC 94V-0 RATED.
 * SHELL: STEEL WITH GOLD FLASH.
 * COVER: STEEL WITH NI PALTED.
 * CAPACITOR.
 * E-MARK.

4.TEST:

* MOLDED: BLACK PVC 45P.
 * CT: 2 ohm IS: 5M ohm



GT Contact CO.,LTD

NOTICE OF PROPRIETARY PROPERTY:
 THE INFORMATION CONTAINED HEREIN IS THE PROPRIETARY PROPERTY OF GT Contact CO.,LTD THE POSSESSOR AGREES TO THE FOLLOWING:
 (i) TO MAINTAIN THIS DOCUMENT IN CONFIDENCE
 (ii) NOT TO REPRODUCE OR COPY IT
 (iii) NOT TO REVEAL OR PUBLISH IT IN WHOLE OR PART
 (iv) ALL RIGHTS RESERVED

TITLE USB 3.1 Type C Stainless C2 Cable End Plug Screw With Type C Plug						DRAWING NUMBER GT61C320-01-XX			REV. 02
	B	1:1	Lucas 09/30/22	Lucas 09/30/22	Ray 09/30/22	X.X ± 0.5 X.XX ± 0.2	X.XXX ± 0.05 ANGLES ± 1°	mm	3/3
THIRD ANGLE PROJECTION	SIZE	SCALE	DRAW / DATE	CHECK / DATE	APPROVE / DATE	TOLERANCES		UNIT	SHEET

1

2

3

4