

1

2

3

4

Note:
1. Material: SUS 303.

REV	ECN#	DESCRIPTION OF REVISION	DRAW BY DATE	CHECK BY DATE	APPVD BY DATE
01			Lucas 06/02/15	Lucas 06/02/15	Ray 06/02/15

D

D

C

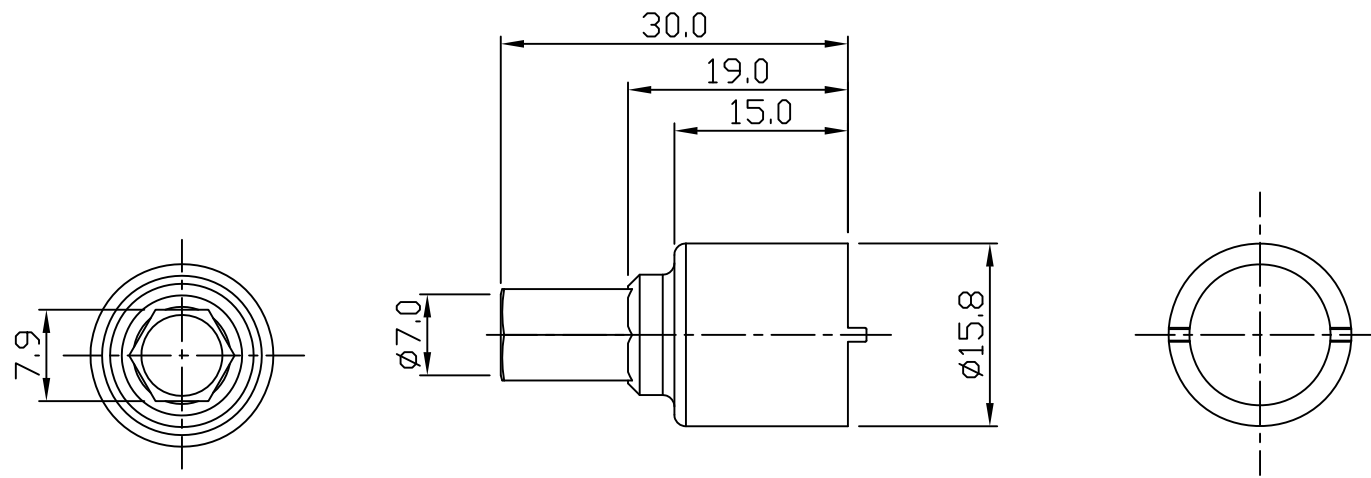
C

B

B

A

A



GTC
R&D DEPT. ISSUE
JUN.02.2015
ONLY FOR
RELEASE

GT Contact CO.,LTD

NOTICE OF PROPRIETARY PROPERTY:
THE INFORMATION CONTAINED HEREIN IS THE PROPRIETARY PROPERTY OF GT Contact CO.,LTD THE POSSESSOR AGREES TO THE FOLLOWING:
(a) TO MAINTAIN THIS DOCUMENT IN CONFIDENCE
(b) NOT TO REPRODUCE OR COPY IT
(c) NOT TO REVEAL OR PUBLISH IT IN WHOLE OR PART
(d) ALL RIGHTS RESERVED

TITLE C1 Spanner Nut Tool					DRAWING NUMBER GT58151-X1001		REV. 01
	1/1	Lucas 06/02/15	Lucas 06/02/15	Ray 06/02/15	ALL ANGLES ± 0.5 ± 1°	mm	1/1
THIRD ANGLE PROJECTION	SCALE	DRAFTER / DATE	CHECK / DATE	APPROVE / DATE	TOLERANCES	UNIT	SHEET

1

2

3

4