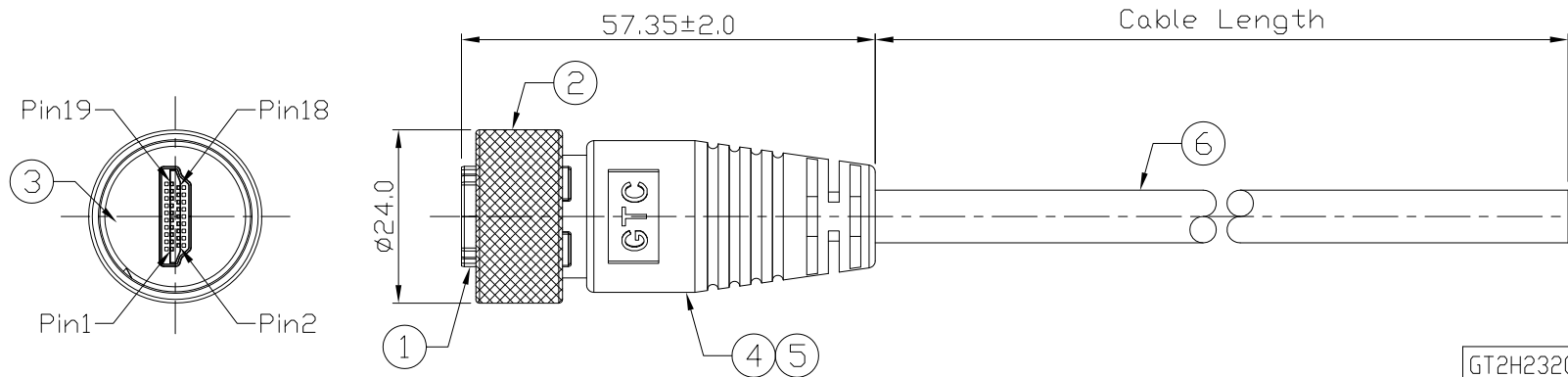


Notes: (Unless Otherwise Specified)

- 1. Waterproof Rate: IP68.
- 2. RoHS Compliant.

REV	ECN#	DESCRIPTION OF REVISION	DRAW BY DATE	CHECK BY DATE	APPROVE BY DATE
01			Aileen 02/23/21	Lucas 02/23/21	Ray 02/23/21



GTC  
 DOC.CENTER.ISSUE  
 FEB.24.2021  
 ONLY FOR  
 RELEASE

1	White
2	Drain
3	Brown
4	White
5	Drain
6	Red
7	White
8	Drain
9	Green
10	White
11	Drain
12	Blue
13	Red
15	White
16	Purple
18	Black
14	White
17	Drain
19	Orange
Shell	Braid

GT2H2320-03-05	5000 mm	+150
GT2H2320-03-04	4000 mm	+150
GT2H2320-03-03	3000 mm	+100
GT2H2320-03-02	2000 mm	+100
GT2H2320-03-01	1000 mm	+50
GT2H2320-03-Z9	900 mm	+50
GT2H2320-03-Z8	800 mm	+50
GT2H2320-03-Z7	700 mm	+50
GT2H2320-03-Z6	600 mm	+50
GT2H2320-03-Z5	500 mm	+50
GT2H2320-03-Z4	400 mm	+50
GT2H2320-03-Z3	300 mm	+25
GT2H2320-03-Z2	200 mm	+25
Part No.	Cable Length	Tol.

6	Cable	UL20276 [(28#/1PR+EAM)*5+(28#/4C)]+AB85% Color: Black, OD=7.3mm	1
5	Over Mold	PVC Color: Black	1
4	Inner Mold	Thermoplastic Color: Black	1
3	Rubber Pad	Silicone Color: Black	1
2	Metal Screw Nut	Copper Alloy Finish: Ni Plated	1
1	HDMI Plug	Housing: Thermoplastic, Color: Black Contacts: Copper Alloy, Finish: Au Plated Shell: Copper Alloy, Finish: Au Plated	1
Item	Part Name	Material / Finish	Qty

Wiring Diagram

GT Contact CO.,LTD

NOTICE OF PROPRIETARY PROPERTY:  
 THE INFORMATION CONTAINED HEREIN IS THE PROPRIETARY PROPERTY OF GT Contact CO.,LTD THE POSSESSOR AGREES TO THE FOLLOWING:  
 (a) TO MAINTAIN THIS DOCUMENT IN CONFIDENCE  
 (b) NOT TO REPRODUCE OR COPY IT  
 (c) NOT TO REVEAL OR PUBLISH IT IN WHOLE OR PART  
 (d) ALL RIGHTS RESERVED

TITLE						DRAWING NUMBER			REV.	
HDMI C3 Metal Cable End Plug Screw With Cable						GT2H2320-03-XX			01	
THIRD ANGLE PROJECTION	SIZE	SCALE	DRAW / DATE	CHECK / DATE	APPROVE / DATE	TOLERANCES		UNIT	SHEET	
DD NOT SCALE DRAWINGS	B	1:1	Aileen 02/23/21	Lucas 02/23/21	Ray 02/23/21	X.X ± 0.5 X.XX ± 0.2	X.XXX ± 0.05 ANGLES ± 1°	mm	1/1	