

1

2

3

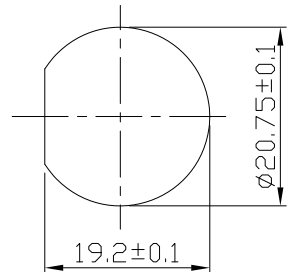
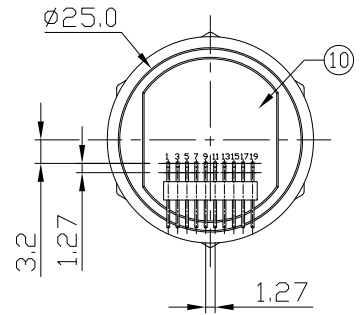
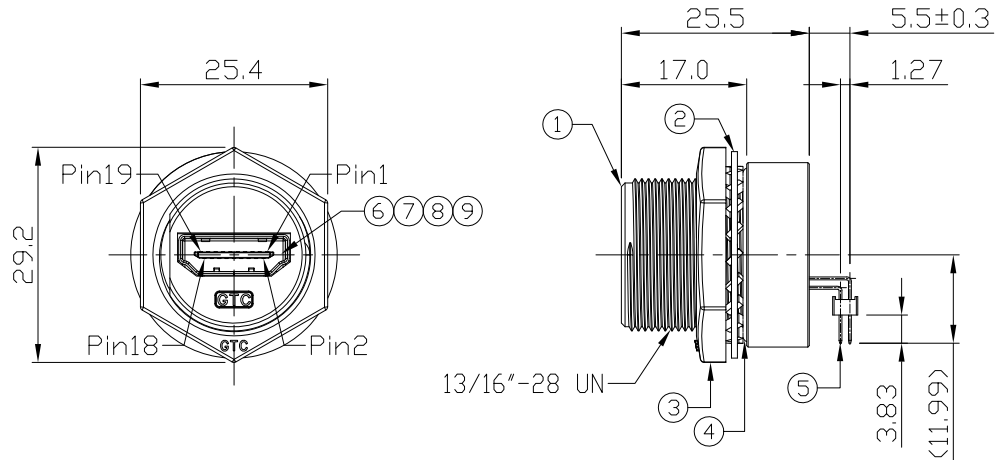
4

Notes: (Unless Otherwise Specified)

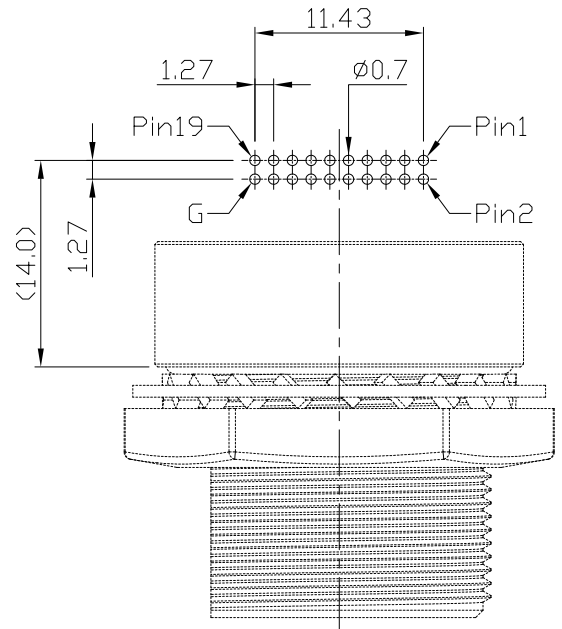
- 1. Waterproof Rate: IP68.
- 2. Recommend Panel Thickness: 0.8 to 7.0 mm.
- 3. Recommend Torque: 19~20 KgF-cm.
- 4. Mating Cap GT2C2150X2/GT1C5331X2.
- 5. RoHS Compliant.

REV	ECN#	DESCRIPTION OF REVISION	DRAW BY DATE	CHECK BY DATE	APPROVE BY DATE
A0			Aileen 03/22/22	Lucas 03/22/22	Ray 03/22/22

GTC
 DOC.CENTER.ISSUE
 MAR.22.2022
 ONLY FOR
 RELEASE

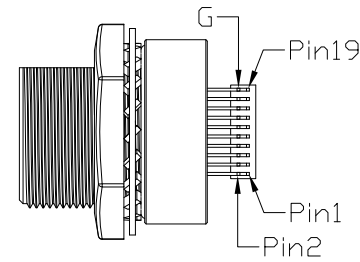


Recommend Panel Cut-Out



Recommend PCB Layout Scale 2 : 1

10	Glue	Epoxy Color: Black	
9	Hold	Silicone Color: Black	1
8	PCB	FR-4 Color: Green	1
7	EMI Shielded Plate	Copper Finish: Ni Plated	1
6	HDMI Receptacle	Housing: Thermoplastic, Color: Black Contacts: Copper Alloy, Finish: Au Plated Shell: Copper Alloy, Finish: Ni Plated	1
5	Pin Header	Housing: Thermoplastic, Color: Black Contacts: Copper Alloy, Finish: Au Plated	1
4	O-Ring	Silicone Color: Red	1
3	Hex Nut	Zn Alloy Finish: Ni Plated	1
2	Metal Washer	SUS	1
1	Housing	Zn Alloy Finish: Ni Plated	1
Item	Part Name	Material / Finish	Q'ty



TITLE						DRAWING NUMBER			REV.	
HDMI C3 Metal Panel Jack Screw Dip 90°						GT2H2300-20			A0	
	B	1:1	Aileen 03/22/22	Lucas 03/22/22	Ray 03/22/22	X.X ± 0.5 X.XX ± 0.2	X.XXX ± 0.05 ANGLES ± 1°	mm	1/1	
THIRD ANGLE PROJECTION	SIZE	SCALE	DRAW / DATE	CHECK / DATE	APPROVE / DATE	TOLERANCES		UNIT	SHEET	

GT Contact CO.,LTD

NOTICE OF PROPRIETARY PROPERTY:
 THE INFORMATION CONTAINED HEREIN IS THE PROPRIETARY PROPERTY OF GT Contact CO.,LTD THE POSSESSOR AGREES TO THE FOLLOWING:
 (a) TO MAINTAIN THIS DOCUMENT IN CONFIDENCE
 (b) NOT TO REPRODUCE OR COPY IT
 (c) NOT TO REVEAL OR PUBLISH IT IN WHOLE OR PART
 (d) ALL RIGHTS RESERVED

1

2

3

4