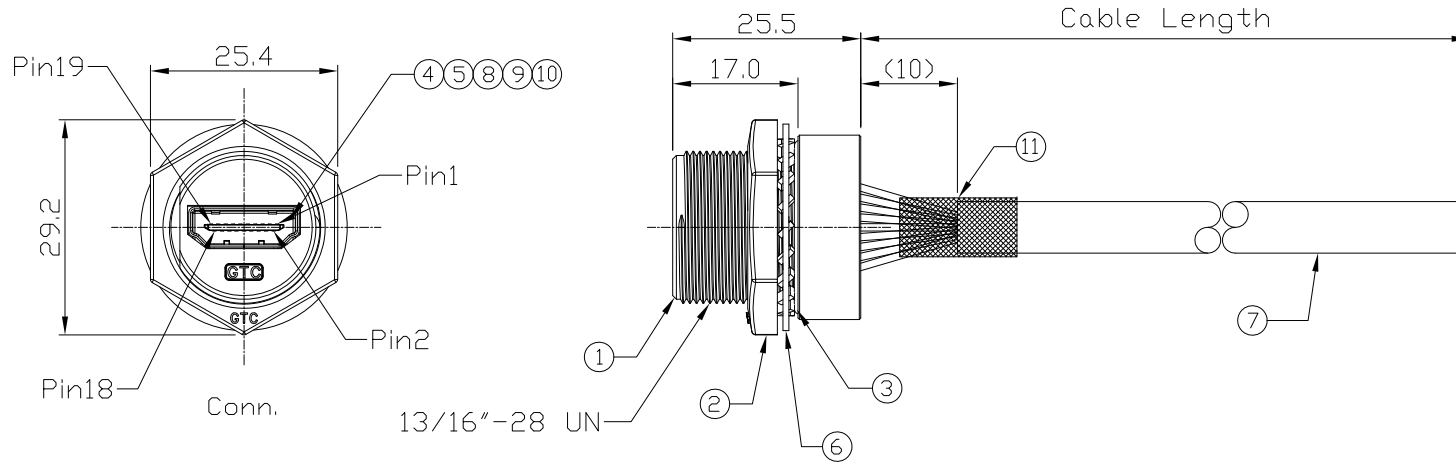


Notes: (Unless Otherwise Specified)

1. Waterproof Rate: IP68.
2. Recommend Panel Thickness: 0.8 to 4.5 mm.
3. Recommend Torque: 19~20 Kgf-cm.
4. Mating Cap P/N: GT2C2150X2/GT1C5331X2.
5. RoHS Compliant.

REV	ECN#	DESCRIPTION OF REVISION	DRAW BY DATE	CHECK BY DATE	APPROVE BY DATE
02	ECN-191205	Change Cable (REV: 1.3 => REV: 1.4)	Whitney 12/13/19	Lucas 12/13/19	Ray 12/13/19

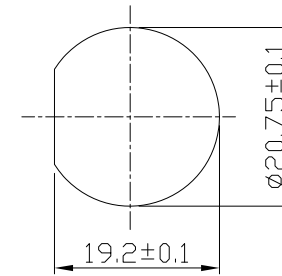


GTC
DOC.CENTER.ISSUE
DEC.19.2019
ONLY FOR
RELEASE

Part No.	Cable Length	Tol.
GT2H2300-03-05	5000 mm	+150
GT2H2300-03-04	4000 mm	+150
GT2H2300-03-03	3000 mm	+150
GT2H2300-03-02	2000 mm	+100
GT2H2300-03-01	1000 mm	+50
GT2H2300-03-Z9	900 mm	+50
GT2H2300-03-Z8	800 mm	+50
GT2H2300-03-Z7	700 mm	+50
GT2H2300-03-Z6	600 mm	+50
GT2H2300-03-Z5	500 mm	+50
GT2H2300-03-Z4	400 mm	+50
GT2H2300-03-Z3	300 mm	+25
GT2H2300-03-Z2	200 mm	+25

1	White
2	Drain
3	Brown
4	White
5	Drain
6	Red
7	White
8	Drain
9	Green

10	White
11	Drain
12	Blue
13	Red
15	White
16	Purple
18	Black
14	White
17	Drain
19	Orange
Shell	Braid



Recommend
Panel Cut-Out

Item	Part Name	Material / Finish	Q'ty
11	Shrink Tube	L=20mm Color: Black	1
10	Glue	Epoxy Color: Black	1
9	Hold	Silicone Color: Black	1
8	PCB	FR-4 Color: Green	1
7	Cable	UL20276 [(28#/1PR+EAM)*5+(28#/4C)+AB85% Color: Black, OD=7.3mm	1
6	Metal Washer	SUS	1
5	EMI Shielded Plate	Copper Finish: Ni Plated	1
4	HDMI Receptacle	Housing: Thermoplastic, Color: Black Contacts: Copper Alloy, Finish: Au Plated Shell: Copper Alloy, Finish: Ni Plated	1
3	O-Ring	Silicone Color: Red	1
2	Hex Nut	Zn Alloy Finish: Ni Plated	1
1	Housing	Zn Alloy Finish: Ni Plated	1

Conn.

Conn.

Wiring Diagram

GT Contact CO.,LTD

NOTICE OF PROPRIETARY PROPERTY:

THE INFORMATION CONTAINED HEREIN IS THE PROPRIETARY PROPERTY OF GT CONTACT CO.,LTD THE POSSESSOR AGREES TO THE FOLLOWING:
(a) TO MAINTAIN THIS DOCUMENT IN CONFIDENCE
(b) NOT TO REPRODUCE OR COPY IT
(c) NOT TO REVEAL OR PUBLISH IT IN WHOLE OR PART
(d) ALL RIGHTS RESERVED

TITLE						DRAWING NUMBER			REV.	
HDMI C3 Metal C3 Panel Jack Screw With Cable						GT2H2300-03-XX			02	
THIRD ANGLE PROJECTION	SIZE	SCALE	DRAW / DATE	CHECK / DATE	APPROVE / DATE	X.X ± 0.5 X.XX ± 0.2	X.XXX ± 0.05 ANGLES ± 1°	mm	1/1	
						TOLERANCES		UNIT	SHEET	