

1

2

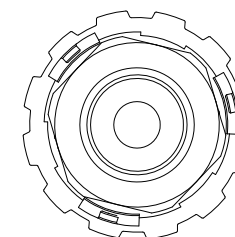
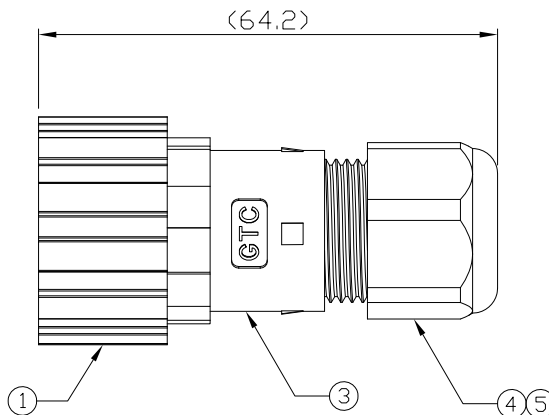
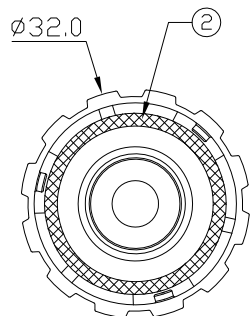
3

4

REV	ECN#	DESCRIPTION OF REVISION	DRAW BY DATE	CHECK BY DATE	APPROVE BY DATE
01			Lucas 10/02/14	Ray 10/02/14	Ray 10/02/14

Notes: (Unless Otherwise Specified)

- 1. Waterproof Rate: IP67.
- 2. Suitable Cable \varnothing =6.0mm To 8.0mm.
- 3. Recommend Gland Nut Torque: 14~15 Kgf-cm.
- 4. RoHS Compliant.



5	Gland Nut	Thermoplastic Color: Black	1
4	Gland	Silicone Color: Black	1
3	Cover	Thermoplastic Color: Black	1
2	Gasket	Silicone Color: Black	1
1	Lock Nut	Zn Alloy Finish: Ni Plated	1
Item	Part Name	Material / Finish	Q'ty



TITLE					DRAWING NUMBER			REV.	
SFP Metal Field Installable Cable End Lock					GT2F1410			01	
	B	1:1	Lucas 10/02/14	Ray 10/02/14	Ray 10/02/14	XX ± 0.5 X.XX ± 0.2	X.XXX ± 0.05 ANGLES ± 1°	mm	1/1
THIRD ANGLE PROJECTION	SIZE	SCALE	DRAW / DATE	CHECK / DATE	APPROVE / DATE	TOLERANCES		UNIT	SHEET

GT Contact CO.,LTD

NOTICE OF PROPRIETARY PROPERTY:
 THE INFORMATION CONTAINED HEREIN IS THE PROPRIETARY PROPERTY OF GT Contact CO.,LTD THE POSSESSOR AGREES TO THE FOLLOWING:
 (i) TO MAINTAIN THIS DOCUMENT IN CONFIDENCE
 (ii) NOT TO REPRODUCE OR COPY IT
 (iii) NOT TO REVEAL OR PUBLISH IT IN WHOLE OR PART
 (iv) ALL RIGHTS RESERVED

1

2

3

4