

1

2

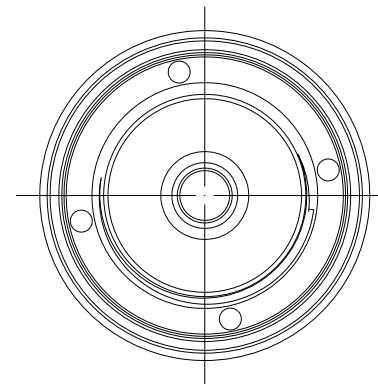
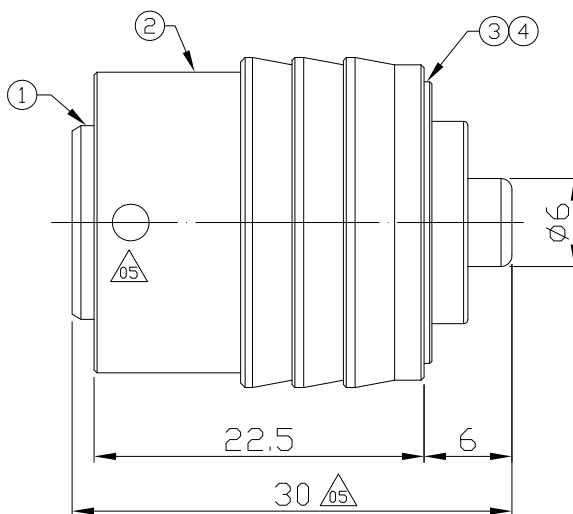
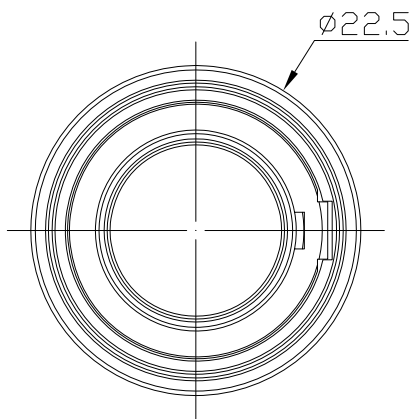
3

4

Notes: (Unless Otherwise Specified)

- 1. Waterproof Rate: IP68.
- 2. RoHS Compliant.

REV	ECN#	DESCRIPTION OF REVISION	DRAW BY DATE	CHECK BY DATE	APPROVE BY DATE
05	ECN-160118	1. Modify Item No. 1,2,3 Material SUS ----> Copper Alloy 2. Drawing Number GT2C632002 ----> GT2C613002	Hank 02/03/16	Lucas 02/03/16	Ray 02/03/16



4	Spring	SUS Finish: -	1	
3	Metal Holder	Copper Alloy Finish: Ni Plated	1	$\Delta_{0.05}$
2	Metal Push Nut	Copper Alloy Finish: Ni Plated	1	$\Delta_{0.05}$
1	Metal Body	Copper Alloy Finish: Ni Plated	1	$\Delta_{0.05}$
Item	Part Name	Material / Finish	Q'ty	



TITLE						DRAWING NUMBER			REV.	
Push Lock S3 Cap For Panel End						GT2C613002			05	
$\text{THIRD ANGLE PROJECTION}$	B	1:1	Hank 02/01/16	Lucas 02/01/16	Ray 02/01/16	X.X ± 0.5 X.XX ± 0.2	X.XXX ± 0.05 ANGLES ± 1°	mm	1/1	
THIRD ANGLE PROJECTION	SIZE	SCALE	DRAW / DATE	CHECK / DATE	APPROVE / DATE	TOLERANCES		UNIT	SHEET	

GT Contact CO.,LTD

NOTICE OF PROPRIETARY PROPERTY:
THE INFORMATION CONTAINED HEREIN IS THE PROPRIETARY PROPERTY OF GT Contact CO.,LTD THE POSSESSOR AGREES TO THE FOLLOWING:
(i) TO MAINTAIN THIS DOCUMENT IN CONFIDENCE
(ii) NOT TO REPRODUCE OR COPY IT
(iii) NOT TO REVEAL OR PUBLISH IT IN WHOLE OR PART
(iv) ALL RIGHTS RESERVED

1

2

3

4