

1

2

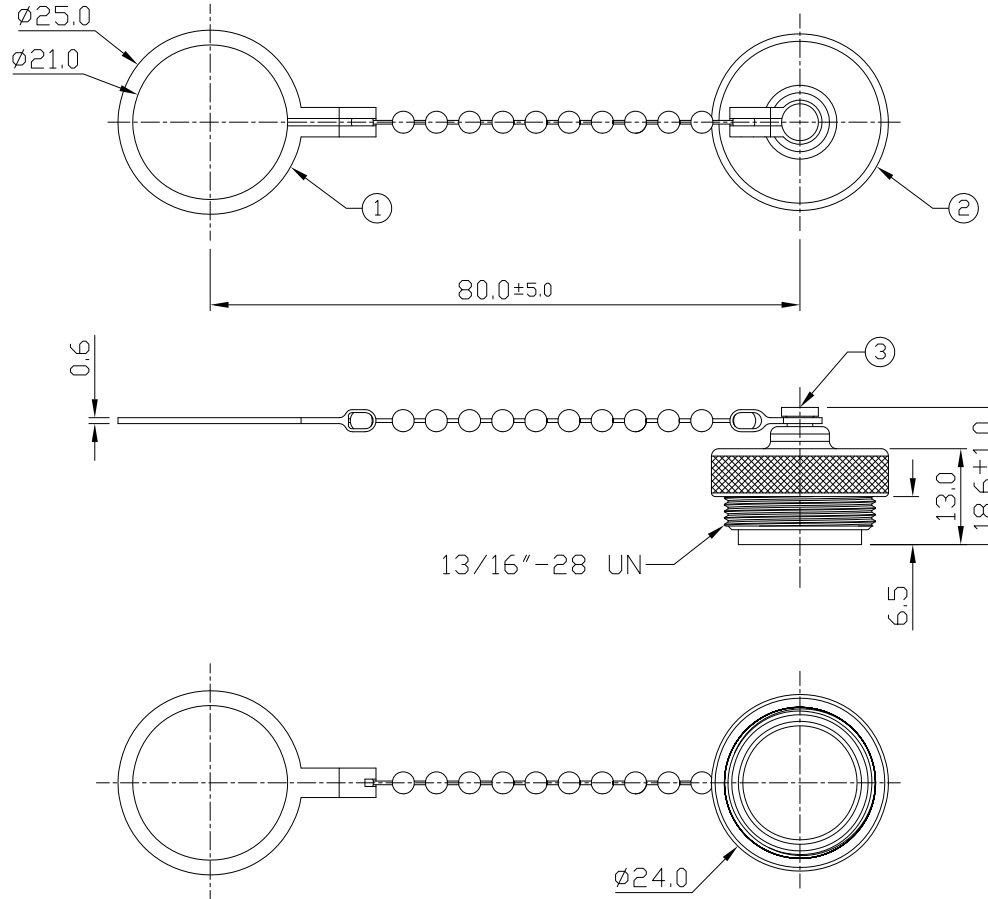
3

4

Notes: (Unless Otherwise Specified)

- 1. Waterproof Rate : IP68.
- 2. RoHS Compliant.

REV	ECN#	DESCRIPTION OF REVISION	DRAW BY DATE	CHECK BY DATE	APPROVE BY DATE
A2	ECN-200602	Modify title.	Aileen 06/05/20	Lucas 06/05/20	Ray 06/05/20



GTC  
DOC.CENTER.ISSUE  
JUN.05.2020  
ONLY FOR  
RELEASE

Item	Part Name	Material / Finish	Q'ty
3	Metal Rivet	Copper Alloy Finish: Ni Plated	1
2	Metal Screw Cap	Copper Alloy Finish: Ni Plated	1
1	Metal Chain	SUS 304 Finish:-	1

TITLE						DRAWING NUMBER			REV.
Cap Metal For C3 Screw Cable End With Metal Chain						GT2C215212			A2
THIRD ANGLE PROJECTION	SIZE	SCALE	DRAW / DATE	CHECK / DATE	APPROVE / DATE	TOLERANCES	UNIT	SHEET	
	B	1:1	Joyce 07/30/12	Lucas 07/30/12	Ray 07/30/12	X.X ± 0.5 X.XX ± 0.2	mm	1/1	
						X.XXX ± 0.05 ANGLES ± 1°			

GT Contact CO.,LTD

NOTICE OF PROPRIETARY PROPERTY:  
THE INFORMATION CONTAINED HEREIN IS THE PROPRIETARY PROPERTY OF GT Contact CO.,LTD THE POSSESSOR AGREES TO THE FOLLOWING:  
(i) TO MAINTAIN THIS DOCUMENT IN CONFIDENCE  
(ii) NOT TO REPRODUCE OR COPY IT  
(iii) NOT TO REVEAL OR PUBLISH IT IN WHOLE OR PART  
(iv) ALL RIGHTS RESERVED

1

2

3

4