

1

2

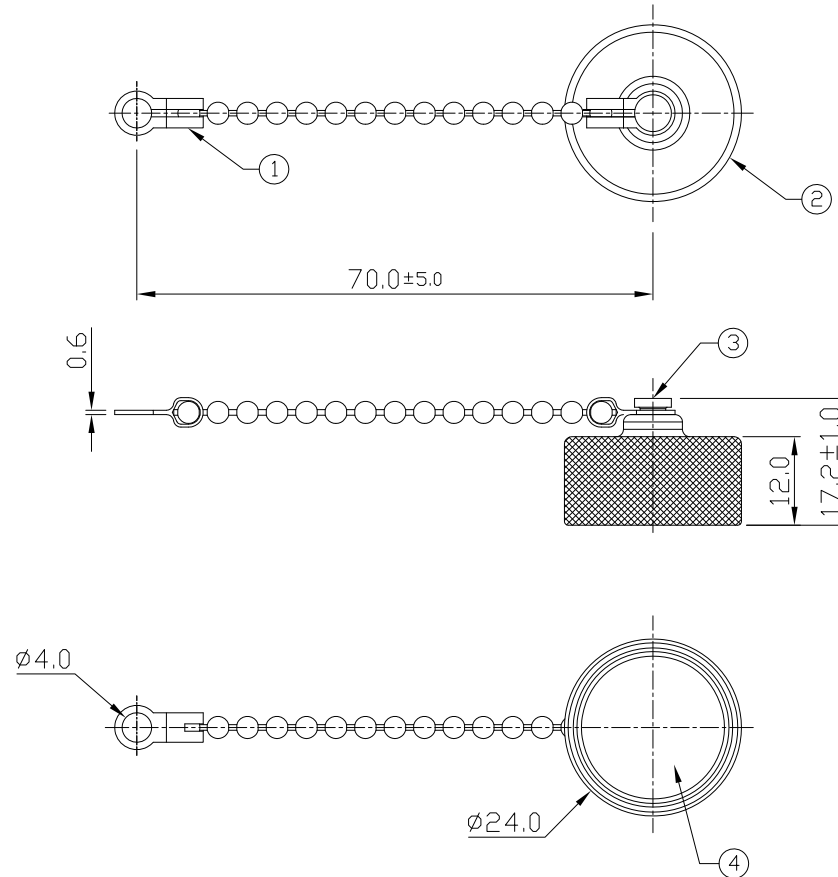
3

4

Notes: (Unless Otherwise Specified)

- 1. Waterproof Rate: IP68.
- 2. RoHS Compliant.

REV	ECN#	DESCRIPTION OF REVISION	DRAW BY DATE	CHECK BY DATE	APPROVE BY DATE
A1	ECN-200602	Modify title.	Aileen 06/05/20	Lucas 06/05/20	Ray 06/05/20



Item	Part Name	Material / Finish	Q'ty
4	Rubber Pad	Silicone Color: Black	1
3	Metal Rivet	Copper Alloy Color: Green	1
2	Metal Screw Cap	Copper Alloy Color: Green	1
1	Metal Chain	Stainless Color: Green	1

GTC  
DOC.CENTER.ISSUE  
JUN.05.2020  
ONLY FOR  
RELEASE

TITLE Cap Metal For C3 Screw Panel With Metal Chain						DRAWING NUMBER GT2C213062(G)			REV. A1	
THIRD ANGLE PROJECTION	SIZE B	SCALE 1:1	DRAW / DATE Hank 10/16/19	CHECK / DATE Lucas 10/16/19	APPROVE / DATE Ray 10/16/19	TOLERANCES X.X ± 0.5 X.XX ± 0.2		ANGLES X.XXX ± 0.05 ± 1°	UNIT mm	SHEET 1/1

GT Contact CO.,LTD

NOTICE OF PROPRIETARY PROPERTY:  
THE INFORMATION CONTAINED HEREIN IS THE PROPRIETARY PROPERTY OF GT Contact CO.,LTD THE POSSESSOR AGREES TO THE FOLLOWING:  
(i) TO MAINTAIN THIS DOCUMENT IN CONFIDENCE  
(ii) NOT TO REPRODUCE OR COPY IT  
(iii) NOT TO REVEAL OR PUBLISH IT IN WHOLE OR PART  
(iv) ALL RIGHTS RESERVED

1

2

3

4