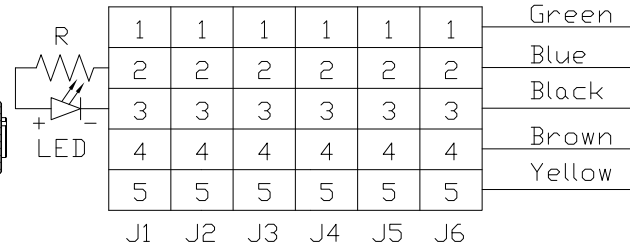
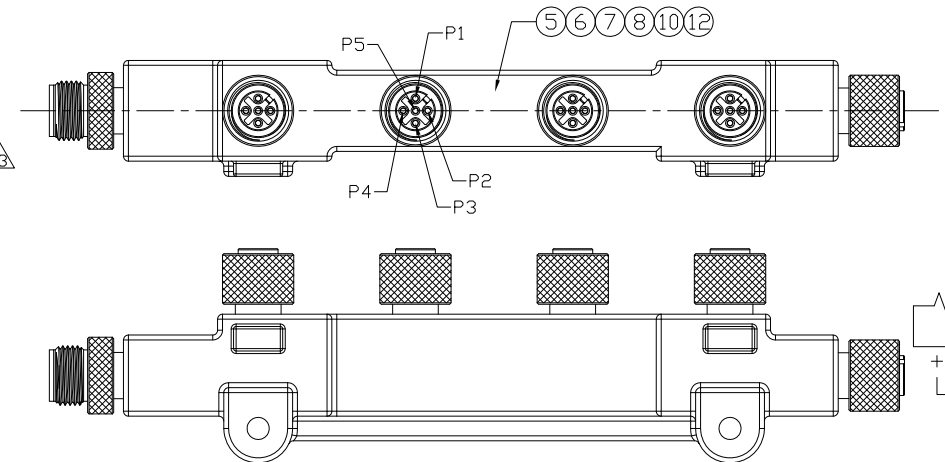
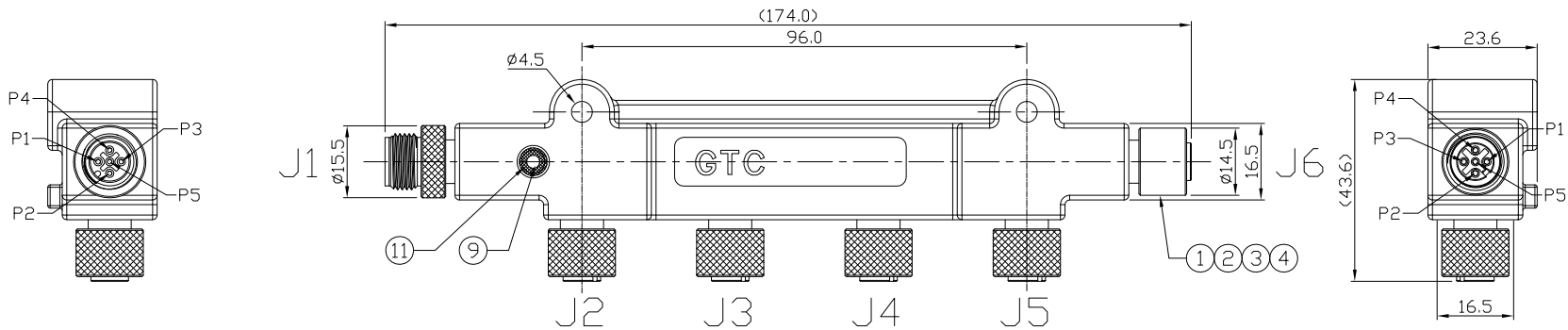


Notes: (Unless Otherwise Specified)

- 1. Waterproof Rate : IP68.
- 2. RoHS Compliant.

REV	ECN#	DESCRIPTION OF REVISION	DRAW BY DATE	CHECK BY DATE	APPROVE BY DATE
A3	ECN-191001	Add PPS Support	Lucas 10/03/19	Lucas 10/03/19	Ray 10/03/19



Item	Part Name	Material / Finish	Qty
12	Support	PPS Color: Black	1
11	Glue	Expy Color: Black	1
10	Resistance	1206, 1.2KOHM, 1%, 1/4W	1
9	LED Lamp	Kingbright P/N: L-710A10CGCK-TW Color: Green	1
8	Over Mold	Thermoplastic Color: Black	1
7	Inner Mold	PVDF Color: White	1
6	FEP Wire	FEP 22AWG*IC Color: See Wiring Diagram	1
5	PCB	FR-4 Color: Green	1
4	O-Ring	Viton Color: Green	5
3	Contacts	Copper Alloy Finish: Au Plated	30
2	Screw Nut	Copper Alloy Finish: Ni Plated	6
1	Housing	Thermoplastic Color: Black	6

TITLE Micro 6 Port 30V 4A 5P With LED						DRAWING NUMBER GT2731N6-11050			REV. A3	
THIRD ANGLE PROJECTION		SIZE B	SCALE 1:1	DRAW / DATE Lucas 01/11/17	CHECK / DATE Lucas 01/11/17	APPROVE / DATE Ray 01/11/17	TOLERANCES X.X ± 0.5 X.XX ± 0.2		UNIT mm	SHEET 1/1

GT Contact CO.,LTD

NOTICE OF PROPRIETARY PROPERTY:
THE INFORMATION CONTAINED HEREIN IS THE PROPRIETARY PROPERTY OF GT Contact CO.,LTD THE POSSESSOR AGREES TO THE FOLLOWING:
(i) TO MAINTAIN THIS DOCUMENT IN CONFIDENCE
(ii) NOT TO REPRODUCE OR COPY IT
(iii) NOT TO REVEAL OR PUBLISH IT IN WHOLE OR PART
(iv) ALL RIGHTS RESERVED