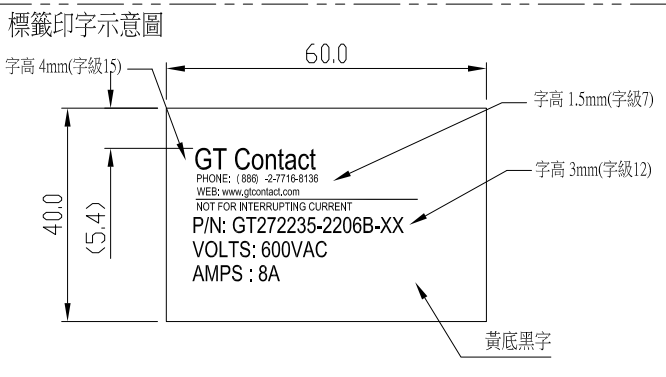
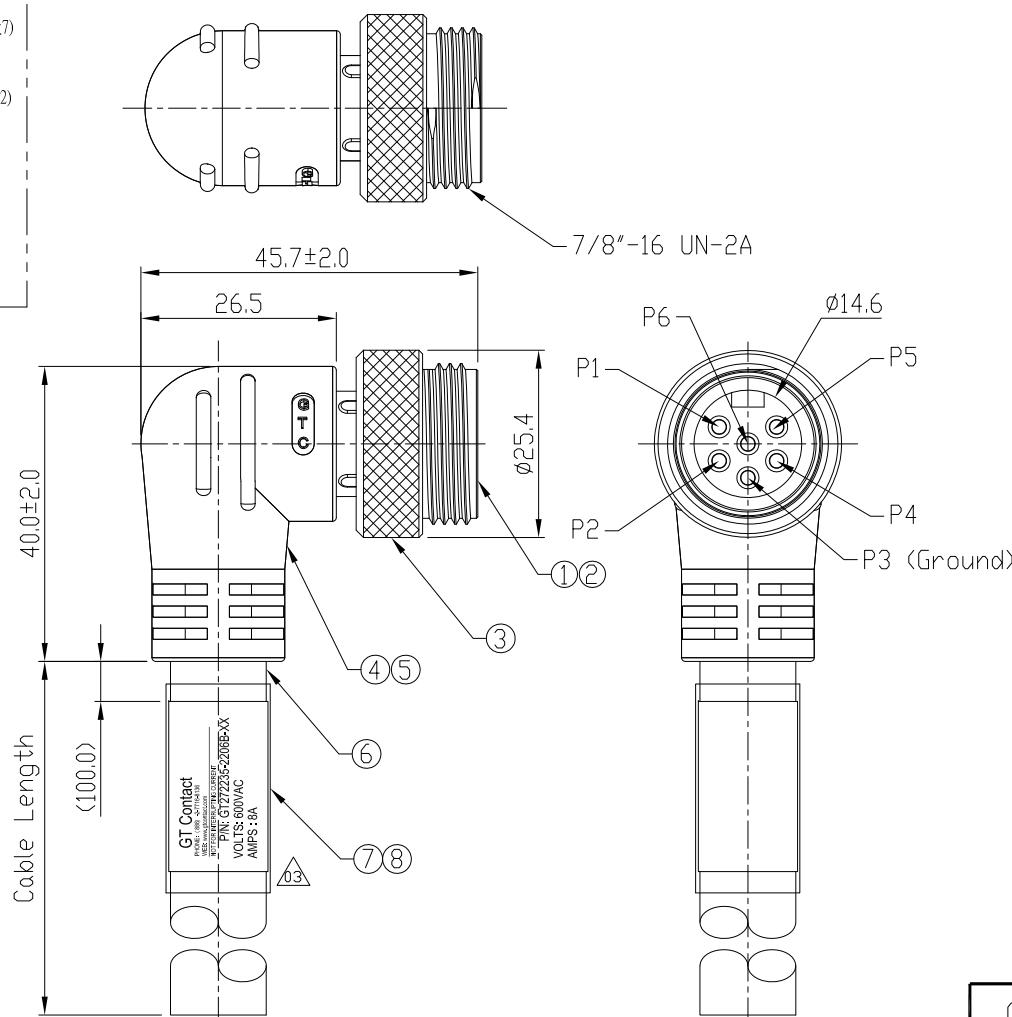


Notes: (Unless Otherwise Specified)
 1. Waterproof Rate: IP68.
 2. RoHS Compliant.



GTC
 DOC.CENTER.ISSUE
 SEP.10.2021
 ONLY FOR
 RELEASE

8	Shrink Tube	L=70mm Color: Clear	1
7	Label	60*40mm Color: Yellow	1
6	Cable	ST00W PVC, 16AWG*6C OD=13.8mm, Color: Black	1
5	Over Mold	PVC Color: Black	1
4	Inner Mold	PVC Color: Black	1
3	Screw Nut	Copper Alloy Finish: Ni Plated	1
2	Contacts	Copper Alloy Finish: Au Plated	6
1	Housing	PVC Color: Black	1
Item	Part Name	Material / Finish	Q'ty



1	White
2	Red
3	Green(Ground)
4	Orange
5	Black
6	Blue

Wiring Diagram

GT272235-2206B-10	10000 mm	±500
GT272235-2206B-09	9000 mm	±450
GT272235-2206B-08	8000 mm	±400
GT272235-2206B-07	7000 mm	±150
GT272235-2206B-06	6000 mm	±150
GT272235-2206B-05	5000 mm	±150
GT272235-2206B-04	4000 mm	±150
GT272235-2206B-03	3000 mm	±150
GT272235-2206B-02	2000 mm	±100
GT272235-2206B-01	1000 mm	±50
GT272235-2206B-Z9	900 mm	±40
GT272235-2206B-Z8	800 mm	±40
GT272235-2206B-Z7	700 mm	±40
GT272235-2206B-Z6	600 mm	±40
GT272235-2206B-Z5	500 mm	±40
GT272235-2206B-Z4	400 mm	±20
GT272235-2206B-Z3	300 mm	±20
GT272235-2206B-Z2	200 mm	±10
Part No.	Cable Length	Tol.

TITLE Mini 8A 6P Cable End 90° Male With ST00W 16# Cable						DRAWING NUMBER GT272235-2206B-XX			REV. 03	
DD NOT SCALE DRAWINGS	B	1:1	Lucas 07/21/15	Lucas 07/21/15	Ray 07/21/15	X.X ± 0.5 X.XX ± 0.2	X.XXX ± 0.05 ANGLES ± 1°	mm	1/1	
THIRD ANGLE PROJECTION	SIZE	SCALE	DRAW / DATE	CHECK / DATE	APPROVE / DATE	TOLERANCES		UNIT	SHEET	

GT Contact CO.,LTD
 NOTICE OF PROPRIETARY PROPERTY:
 THE INFORMATION CONTAINED HEREIN IS THE PROPRIETARY PROPERTY OF GT Contact CO.,LTD THE POSSESSOR AGREES TO THE FOLLOWING:
 (A) TO MAINTAIN THIS DOCUMENT IN CONFIDENCE
 (B) NOT TO REPRODUCE OR COPY IT
 (C) NOT TO REVEAL OR PUBLISH IT IN WHOLE OR PART
 (D) ALL RIGHTS RESERVED