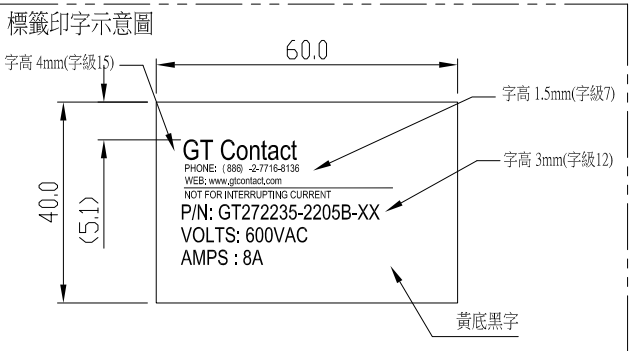


Notes: (Unless Otherwise Specified)
 1. Waterproof Rate: IP68.
 2. RoHS Compliant.

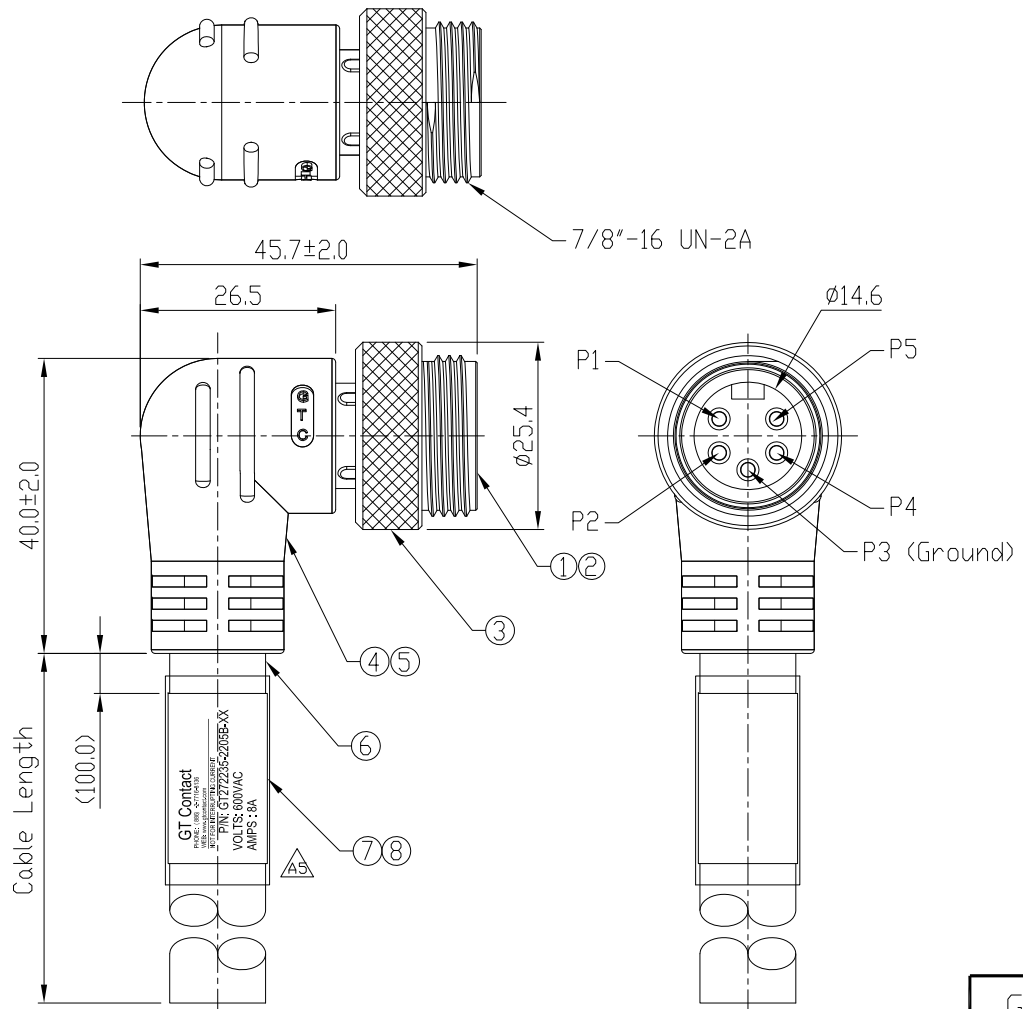


REV	ECN#	DESCRIPTION OF REVISION	DRAW BY DATE	CHECK BY DATE	APPROVE BY DATE
A4	ECN-160305	增加標籤印字示意圖	Joyce 03/10/16	Lucas 03/10/16	Ray 03/10/16
A5	ECN-210906	增加透明套管防Label翹開	Jenny 09/10/21	Lucas 09/10/21	Ray 09/10/21

1	White
2	Red
3	Green(Ground)
4	Orange
5	Black

Wiring Diagram

GTC
 DOC.CENTER.ISSUE
 SEP.10.2021
 ONLY FOR
 RELEASE



Part No.	Cable Length	Tol.
GT272235-2205B-10	10000 mm	±500
GT272235-2205B-09	9000 mm	±450
GT272235-2205B-08	8000 mm	±400
GT272235-2205B-07	7000 mm	±150
GT272235-2205B-06	6000 mm	±150
GT272235-2205B-05	5000 mm	±150
GT272235-2205B-04	4000 mm	±150
GT272235-2205B-03	3000 mm	±150
GT272235-2205B-02	2000 mm	±100
GT272235-2205B-01	1000 mm	±50
GT272235-2205B-29	900 mm	±40
GT272235-2205B-28	800 mm	±40
GT272235-2205B-27	700 mm	±40
GT272235-2205B-26	600 mm	±40
GT272235-2205B-25	500 mm	±40
GT272235-2205B-24	400 mm	±40
GT272235-2205B-23	300 mm	±40
GT272235-2205B-22	200 mm	±40

Item	Part Name	Material / Finish	Q'ty
8	Shrink Tube	L=70mm Color: Clear	1
7	Label	60*40mm Color: Yellow	1
6	Cable	ST00W PVC, 16AWG*5C OD=13.0mm, Color: Black	1
5	Over Mold	PVC Color: Black	1
4	Inner Mold	PVC Color: Black	1
3	Screw Nut	Copper Alloy Finish: Ni Plated	1
2	Contacts	Copper Alloy Finish: Au Plated	5
1	Housing	PVC Color: Black	1

TITLE Mini 8A 5P Cable End 90° Male With ST00W 16# Cable						DRAWING NUMBER GT272235-2205B-XX			REV. A5	
THIRD ANGLE PROJECTION		SIZE B	SCALE 1:1	DRAW / DATE Edwin 03/15/11	CHECK / DATE Lucas 03/15/11	APPROVE / DATE Ray 03/15/11	TOLERANCES X.X ± 0.5 X.XX ± 0.2		UNIT mm	SHEET 1/1

GT Contact CO.,LTD
 NOTICE OF PROPRIETARY PROPERTY:
 THE INFORMATION CONTAINED HEREIN IS THE PROPRIETARY PROPERTY OF GT Contact CO.,LTD THE POSSESSOR AGREES TO THE FOLLOWING:
 (1) TO MAINTAIN THIS DOCUMENT IN CONFIDENCE
 (2) NOT TO REPRODUCE OR COPY IT
 (3) NOT TO REVEAL OR PUBLISH IT IN WHOLE OR PART
 (4) ALL RIGHTS RESERVED