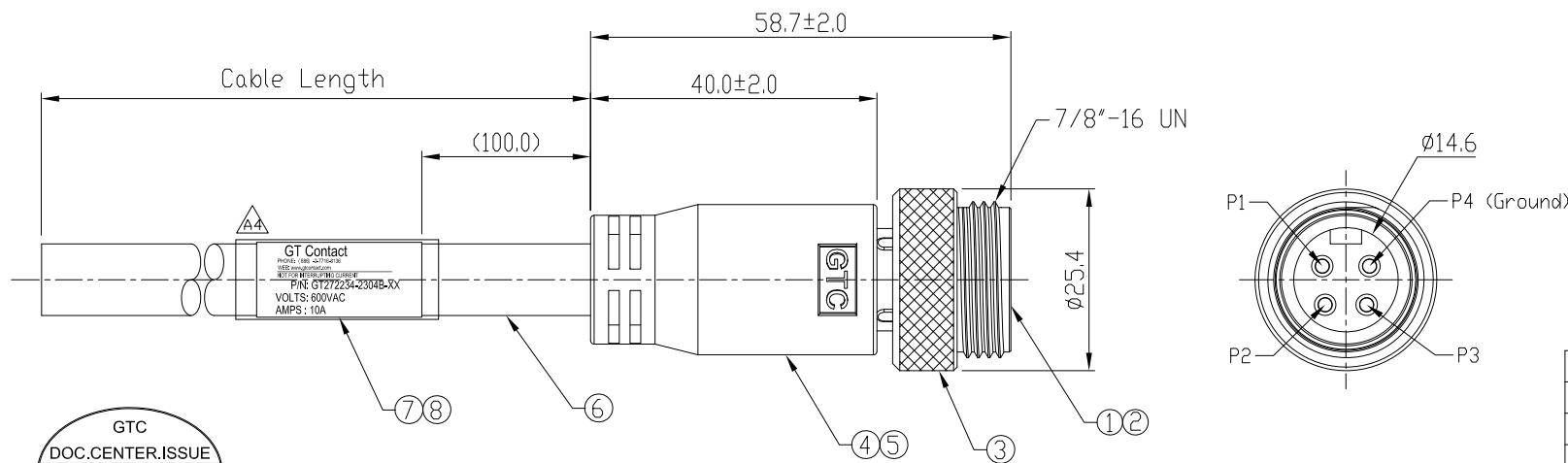


Notes: (Unless Otherwise Specified)

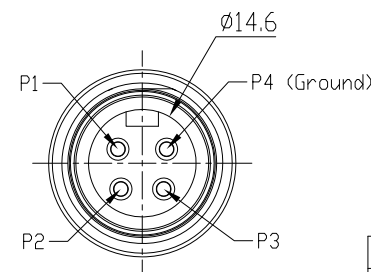
- 1. Waterproof Rate: IP68.
- 2. RoHS Compliant.

REV	ECN#	DESCRIPTION OF REVISION	DRAW BY DATE	CHECK BY DATE	APPROVE BY DATE
A3	ECN-160305	增加標籤印字示意圖	Joyce 03/10/16	Lucas 03/10/16	Ray 03/10/16
A4	ECN-210906	增加透明套管防Label翹開	Jenny 09/10/21	Lucas 09/10/21	Ray 09/10/21



1	Black
2	Red
3	White
4	Green(Ground)

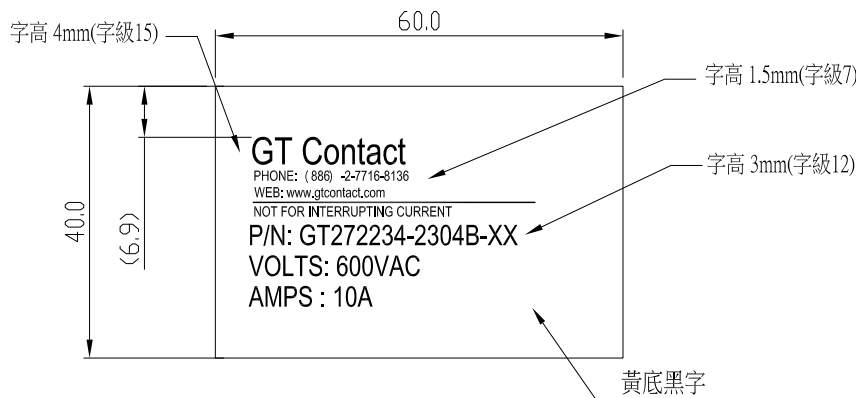
Wiring Diagram



GTC
DOC.CENTER.ISSUE
SEP.10.2021
ONLY FOR
RELEASE

8	Shrink Tube	L=70mm Color: Clear	1	⚠
7	Label	60*40mm Color: Yellow	1	
6	Cable	ST00W PVC, 16AWG*4C OD=11.0mm, Color: Black	1	
5	Over Mold	PVC Color: Black	1	
4	Inner Mold	PVC Color: Black	1	
3	Screw Nut	Copper Alloy Finish: Ni Plated	1	
2	Contacts	Copper Alloy Finish: Au Plated	4	
1	Housing	PVC Color: Black	1	
Item	Part Name	Material / Finish	Q'ty	

標籤印字示意圖



Part No.	Cable Length	Tol.
GT272234-2304B-10	10000 mm	±500
GT272234-2304B-09	9000 mm	±450
GT272234-2304B-08	8000 mm	±400
GT272234-2304B-07	7000 mm	±150
GT272234-2304B-06	6000 mm	±150
GT272234-2304B-05	5000 mm	±150
GT272234-2304B-04	4000 mm	±150
GT272234-2304B-03	3000 mm	±150
GT272234-2304B-02	2000 mm	±100
GT272234-2304B-01	1000 mm	±50
GT272234-2304B-Z9	900 mm	±40
GT272234-2304B-Z8	800 mm	±40
GT272234-2304B-Z7	700 mm	±40
GT272234-2304B-Z6	600 mm	±40
GT272234-2304B-Z5	500 mm	±40
GT272234-2304B-Z4	400 mm	±40
GT272234-2304B-Z3	300 mm	±40
GT272234-2304B-Z2	200 mm	±40

GT Contact CO.,LTD

NOTICE OF PROPRIETARY PROPERTY:

THE INFORMATION CONTAINED HEREIN IS THE PROPRIETARY PROPERTY OF GT CONTACT CO.,LTD THE POSSESSOR AGREES TO THE FOLLOWING:
 (A) TO MAINTAIN THIS DOCUMENT IN CONFIDENCE
 (B) NOT TO REPRODUCE OR COPY IT
 (C) NOT TO REVEAL OR PUBLISH IT IN WHOLE OR PART
 (D) ALL RIGHTS RESERVED

TITLE						DRAWING NUMBER			REV.	
Mini 10A 4P Cable End Male With ST00W 16# Cable						GT272234-2304B-XX			A4	
THIRD ANGLE PROJECTION	SIZE	SCALE	DRAW / DATE	CHECK / DATE	APPROVE / DATE	X.X ± 0.5 X.XX ± 0.2	X.XXX ± 0.05 ANGLES ± 1°	mm	1/1	
						TOLERANCES		UNIT	SHEET	