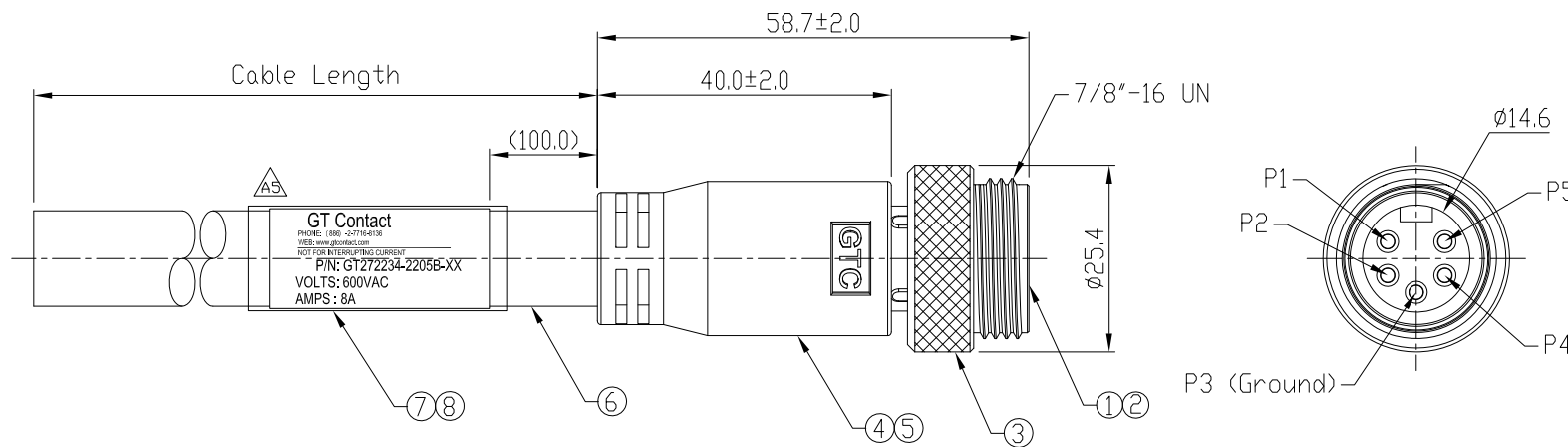


Notes: (Unless Otherwise Specified)

- 1. Waterproof Rate: IP68.
- 2. RoHS Compliant.



| REV | ECN# | DESCRIPTION OF REVISION | DRAW BY DATE | CHECK BY DATE | APPROVE BY DATE |
|-----|------------|-------------------------|----------------|----------------|-----------------|
| A4 | ECN-160305 | 增加標籤印字示意圖 | Joyce 03/10/16 | Lucas 03/10/16 | Ray 03/10/16 |
| A5 | ECN-210906 | 增加透明套管防Label翹開 | Jenny 09/10/21 | Lucas 09/10/21 | Ray 09/10/21 |

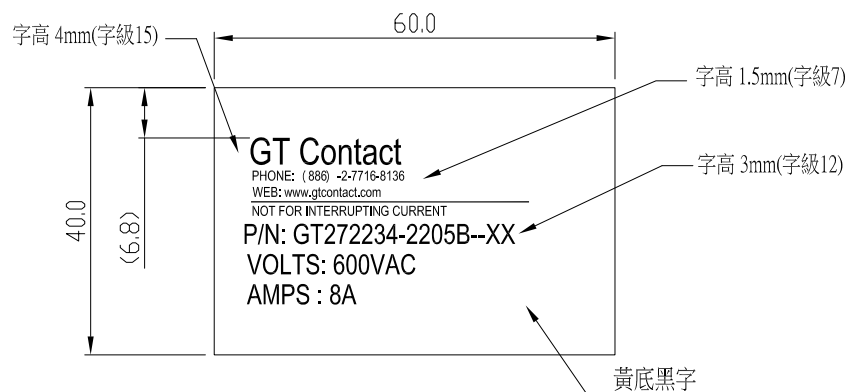


- 1 White
- 2 Red
- 3 Green(Ground)
- 4 Orange
- 5 Black

Wiring Diagram

| | | |
|-------------------|--------------|------|
| GT272234-2205B-10 | 10000 mm | ±500 |
| GT272234-2205B-09 | 9000 mm | ±450 |
| GT272234-2205B-08 | 8000 mm | ±400 |
| GT272234-2205B-07 | 7000 mm | ±150 |
| GT272234-2205B-06 | 6000 mm | ±150 |
| GT272234-2205B-05 | 5000 mm | ±150 |
| GT272234-2205B-04 | 4000 mm | ±150 |
| GT272234-2205B-03 | 3000 mm | ±150 |
| GT272234-2205B-02 | 2000 mm | ±100 |
| GT272234-2205B-01 | 1000 mm | ±50 |
| GT272234-2205B-Z9 | 900 mm | ±40 |
| GT272234-2205B-Z8 | 800 mm | ±40 |
| GT272234-2205B-Z7 | 700 mm | ±40 |
| GT272234-2205B-Z6 | 600 mm | ±40 |
| GT272234-2205B-Z5 | 500 mm | ±40 |
| GT272234-2205B-Z4 | 400 mm | ±40 |
| GT272234-2205B-Z3 | 300 mm | ±40 |
| GT272234-2205B-Z2 | 200 mm | ±40 |
| Part No. | Cable Length | Tol. |

標籤印字示意圖



| | | | | |
|------|-------------|------------------------------------------------|------|----|
| 8 | Shrink Tube | L=70mm Color: Clear | 1 | AS |
| 7 | Label | 60*40mm Color: Yellow | 1 | |
| 6 | Cable | ST00W PVC, 16AWG*5C OD=13.0mm, Color: Black | 1 | |
| 5 | Over Mold | PVC Color: Black | 1 | |
| 4 | Inner Mold | PVC Color: Black | 1 | |
| 3 | Screw Nut | Copper Alloy Finish: Ni Plated | 1 | |
| 2 | Contacts | Copper Alloy Finish: Au Plated | 5 | |
| 1 | Housing | PVC Color: Black | 1 | |
| Item | Part Name | Material / Finish | Q'ty | |

| TITLE | | | | | | DRAWING NUMBER | | | REV. | |
|------------------------------------------------|------|-------|----------------|----------------|----------------|-------------------------|-----------------------------|------|-------|--|
| Mini 8A 5P Cable End Male With ST00W 16# Cable | | | | | | GT272234-2205B-XX | | | A5 | |
| THIRD ANGLE PROJECTION | SIZE | SCALE | DRAW / DATE | CHECK / DATE | APPROVE / DATE | TOLERANCES | | UNIT | SHEET | |
| | B | 1:1 | Edwin 03/15/11 | Lucas 03/15/11 | Ray 03/15/11 | X.X ± 0.5 X.XX ± 0.2 | X.XXX ± 0.05 ANGLES ± 1° | mm | 1/1 | |

GT Contact CO.,LTD

NOTICE OF PROPRIETARY PROPERTY:

THE INFORMATION CONTAINED HEREIN IS THE PROPRIETARY PROPERTY OF GT Contact CO.,LTD THE POSSESSOR AGREES TO THE FOLLOWING:

- (1) TO MAINTAIN THIS DOCUMENT IN CONFIDENCE
- (2) NOT TO REPRODUCE OR COPY IT
- (3) NOT TO REVEAL OR PUBLISH IT IN WHOLE OR PART
- (4) ALL RIGHTS RESERVED