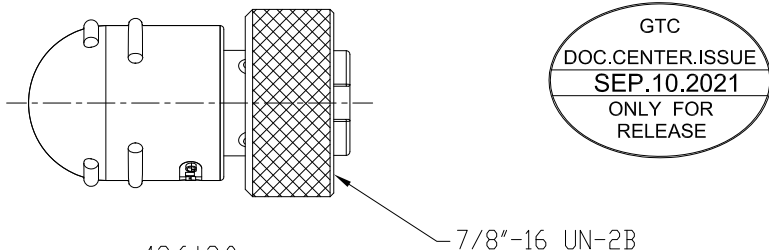
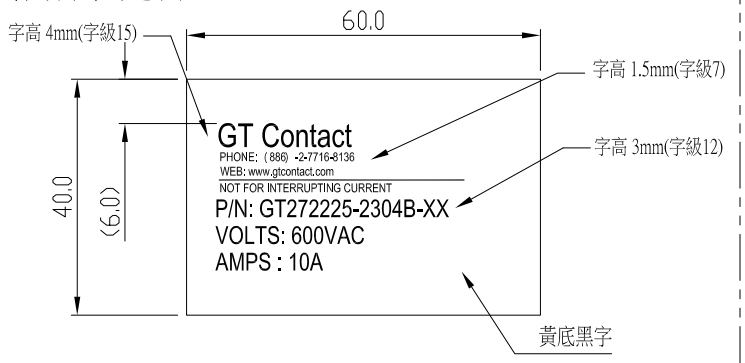


Notes: (Unless Otherwise Specified)
 1. Waterproof Rate: IP68.
 2. RoHS Compliant.

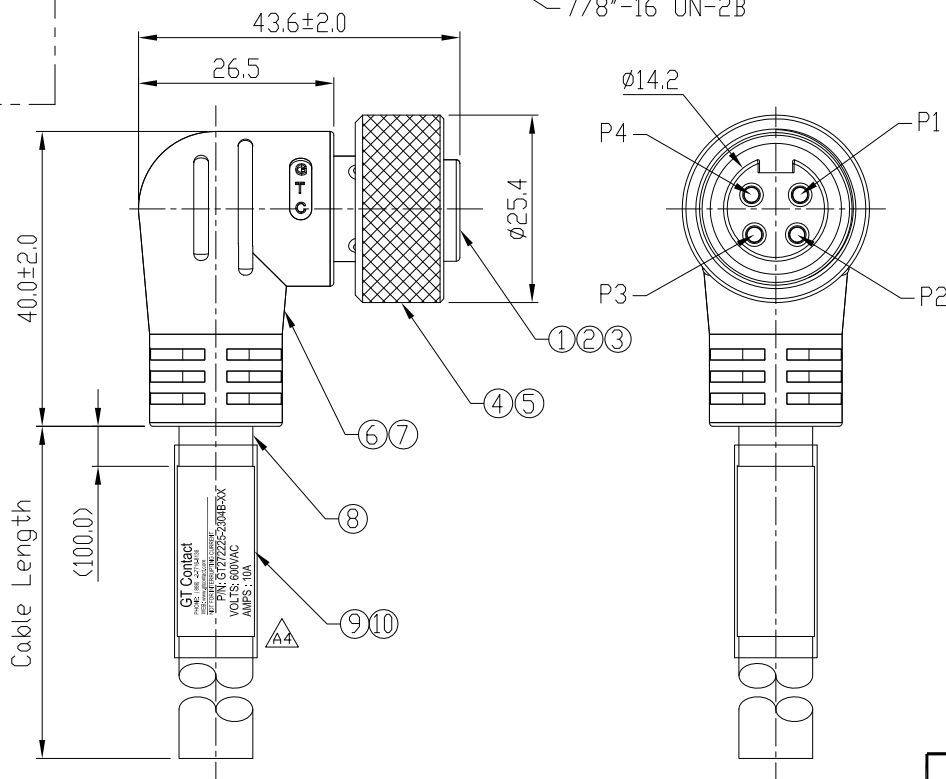
REV	ECN#	DESCRIPTION OF REVISION	DRAW BY DATE	CHECK BY DATE	APPROVE BY DATE
A3	ECN-160305	增加標籤印字示意圖	Joyce 03/10/16	Lucas 03/10/16	Ray 03/10/16
A4	ECN-210906	增加透明套管防Label翹開	Jenny 09/09/21	Lucas 09/09/21	Ray 09/09/21

標籤印字示意圖



1	Black
2	Red
3	White
4	Green(Ground)

Wiring Diagram



GT272225-2304B-10	10000 mm	±500
GT272225-2304B-09	9000 mm	±450
GT272225-2304B-08	8000 mm	±400
GT272225-2304B-07	7000 mm	±150
GT272225-2304B-06	6000 mm	±150
GT272225-2304B-05	5000 mm	±150
GT272225-2304B-04	4000 mm	±150
GT272225-2304B-03	3000 mm	±150
GT272225-2304B-02	2000 mm	±100
GT272225-2304B-01	1000 mm	±50
GT272225-2304B-29	900 mm	±40
GT272225-2304B-28	800 mm	±40
GT272225-2304B-27	700 mm	±40
GT272225-2304B-26	600 mm	±40
GT272225-2304B-25	500 mm	±40
GT272225-2304B-24	400 mm	±40
GT272225-2304B-23	300 mm	±40
GT272225-2304B-22	200 mm	±40
Part No.	Cable Length	Tol.

10	Shrink Tube	L=70mm Color: Clear	1	△A
9	Label	60*40mm Color: Yellow	1	
8	Cable	ST00W PVC, 16AWG*4C OD=11.0mm, Color: Black	1	
7	Over Mold	PVC Color: Black	1	
6	Inner Mold	PVC Color: Black	1	
5	Screw Nut	Copper Alloy Finish: Ni Plated	1	
4	Gasket	NBR Color: Black	1	
3	Sleeve	Copper Alloy Color: Ni Plated	4	
2	Contacts	Copper Alloy Finish: Au Plated	4	
1	Housing	PVC Color: Black	1	
Item	Part Name	Material / Finish	Q'ty	

TITLE Mini 10A 4P Cable End 90° Female With ST00W 16# Cable				DRAWING NUMBER GT272225-2304B-XX			REV. A4	
--	--	--	--	-------------------------------------	--	--	------------	--

THIRD ANGLE PROJECTION	SIZE	SCALE	DRAW / DATE	CHECK / DATE	APPROVE / DATE	TOLERANCES	UNIT	SHEET
THIRD ANGLE PROJECTION	B	1:1	Edwin 03/15/11	Lucas 03/15/11	Ray 03/15/11	X.X ± 0.5 X.XX ± 0.2	mm	1/1
						X.XXX ± 0.05 ANGLES ± 1°		

GT Contact CO.,LTD

NOTICE OF PROPRIETARY PROPERTY:
 THE INFORMATION CONTAINED HEREIN IS THE PROPRIETARY PROPERTY OF GT Contact CO.,LTD THE POSSESSOR AGREES TO THE FOLLOWING:
 (A) TO MAINTAIN THIS DOCUMENT IN CONFIDENCE
 (B) NOT TO REPRODUCE OR COPY IT
 (C) NOT TO REVEAL OR PUBLISH IT IN WHOLE OR PART
 (D) ALL RIGHTS RESERVED