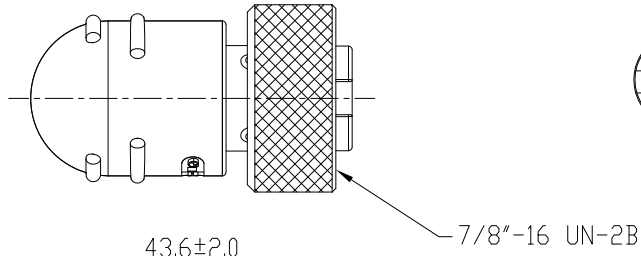
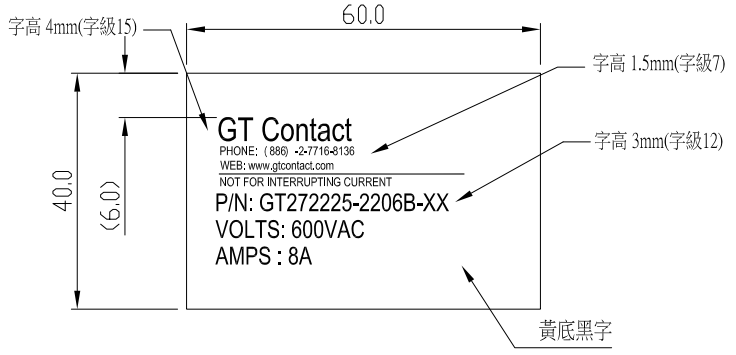


Notes: (Unless Otherwise Specified)
 1. Waterproof Rate: IP68.
 2. RoHS Compliant.

REV	ECN#	DESCRIPTION OF REVISION	DRAW BY DATE	CHECK BY DATE	APPROVE BY DATE
02	ECN-160305	增加標籤印字示意圖	Joyce 03/10/16	Lucas 03/10/16	Ray 03/10/16
03	ECN-210906	增加透明套管防Label翹開	Jenny 09/09/21	Lucas 09/09/21	Ray 09/09/21

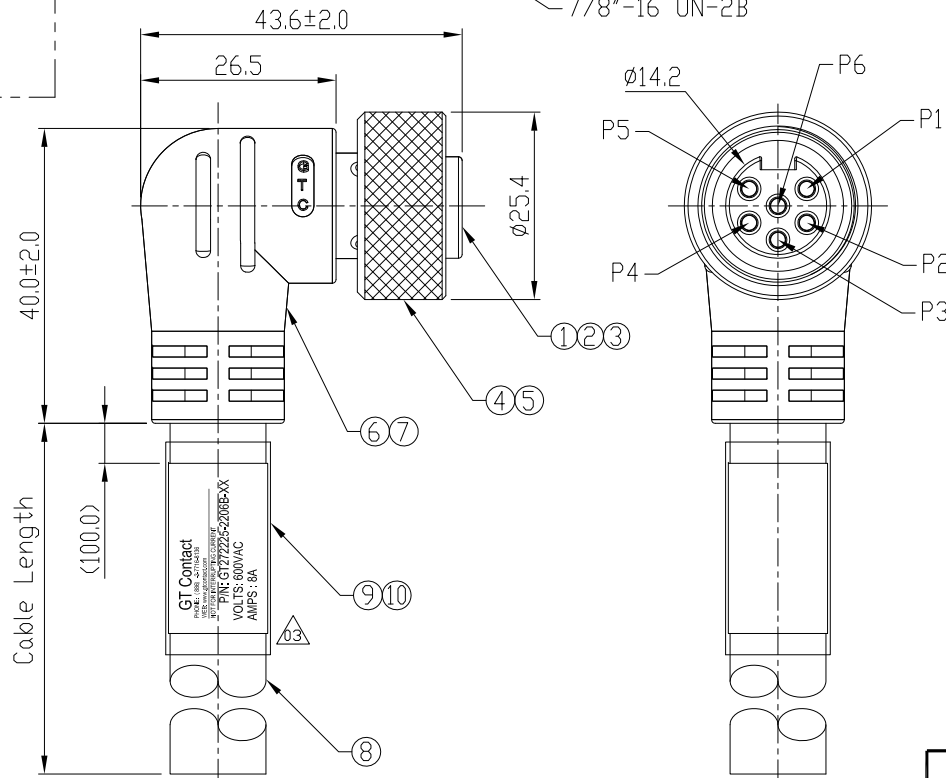
標籤印字示意圖



GTC
 DOC.CENTER.ISSUE
 SEP.10.2021
 ONLY FOR
 RELEASE

1	White
2	Red
3	Green(Ground)
4	Orange
5	Black
6	Blue

Wiring Diagram



GT272225-2206B-10	10000 mm	±500
GT272225-2206B-09	9000 mm	±450
GT272225-2206B-08	8000 mm	±400
GT272225-2206B-07	7000 mm	±150
GT272225-2206B-06	6000 mm	±150
GT272225-2206B-05	5000 mm	±150
GT272225-2206B-04	4000 mm	±150
GT272225-2206B-03	3000 mm	±150
GT272225-2206B-02	2000 mm	±100
GT272225-2206B-01	1000 mm	±50
GT272225-2206B-29	900 mm	±40
GT272225-2206B-28	800 mm	±40
GT272225-2206B-27	700 mm	±40
GT272225-2206B-26	600 mm	±40
GT272225-2206B-25	500 mm	±40
GT272225-2206B-24	400 mm	±20
GT272225-2206B-23	300 mm	±20
GT272225-2206B-22	200 mm	±10
Part No.	Cable Length	Tol.

10	Shrink Tube	L=70mm Color: Clear	1	0.3
9	Label	60*40mm Color: Yellow	1	
8	Cable	ST00W PVC, 16AWG*6C OD=13.8mm, Color: Black	1	
7	Over Mold	PVC Color: Black	1	
6	Inner Mold	PVC Color: Black	1	
5	Screw Nut	Copper Alloy Finish: Ni Plated	1	
4	Gasket	NBR Color: Black	1	
3	Sleeve	Copper Alloy Color: Ni Plated	6	
2	Contacts	Copper Alloy Finish: Au Plated	6	
1	Housing	PVC Color: Black	1	
Item	Part Name	Material / Finish	Q'ty	

TITLE: Mini 8A 6P Cable End 90° Female With ST00W 16# Cable
 DRAWING NUMBER: GT272225-2206B-XX
 REV.: 03

THIRD ANGLE PROJECTION	SIZE	SCALE	DRAW / DATE	CHECK / DATE	APPROVE / DATE	TOLERANCES	UNIT	SHEET
THIRD ANGLE PROJECTION	B	1:1	Lucas 07/21/15	Lucas 07/21/15	Ray 07/21/15	X.X ± 0.5 X.XX ± 0.2	mm	1/1

GT Contact CO.,LTD
 NOTICE OF PROPRIETARY PROPERTY:
 THE INFORMATION CONTAINED HEREIN IS THE PROPRIETARY PROPERTY OF GT Contact CO.,LTD THE POSSESSOR AGREES TO THE FOLLOWING:
 (1) TO MAINTAIN THIS DOCUMENT IN CONFIDENCE
 (2) NOT TO REPRODUCE OR COPY IT
 (3) NOT TO REVEAL OR PUBLISH IT IN WHOLE OR PART
 (4) ALL RIGHTS RESERVED