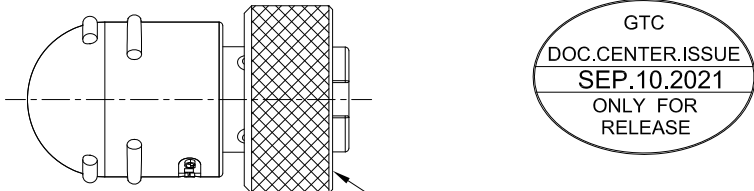
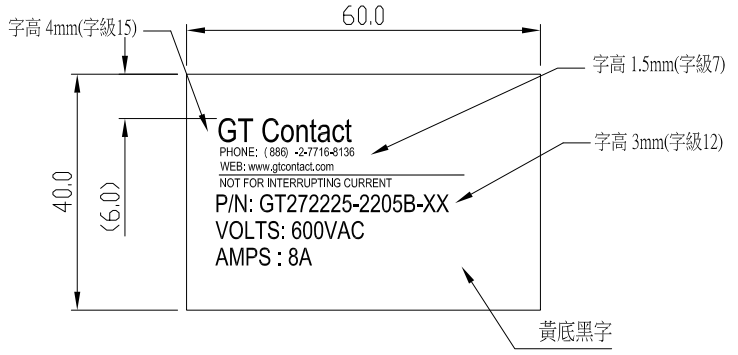


Notes: (Unless Otherwise Specified)  
 1. Waterproof Rate: IP68.  
 2. RoHS Compliant.

REV	ECN#	DESCRIPTION OF REVISION	DRAW BY DATE	CHECK BY DATE	APPROVE BY DATE
A4	ECN-160305	增加標籤印字示意圖	Joyce 03/10/16	Lucas 03/10/16	Ray 03/10/16
A5	ECN-210906	增加透明套管防Label翹開	Jenny 09/09/21	Lucas 09/09/21	Ray 09/09/21

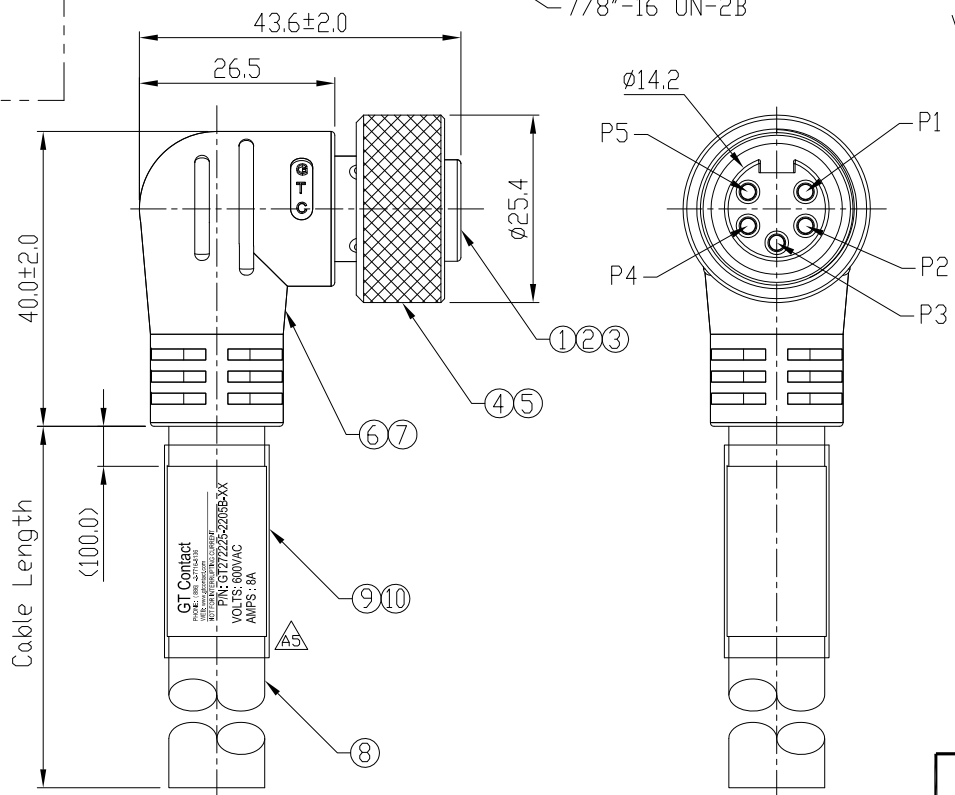
標籤印字示意圖



GTC  
 DOC.CENTER.ISSUE  
 SEP.10.2021  
 ONLY FOR  
 RELEASE

- 1 White
- 2 Red
- 3 Green(Ground)
- 4 Orange
- 5 Black

Wiring Diagram



GT272225-2205B-10	10000 mm	±500
GT272225-2205B-09	9000 mm	±450
GT272225-2205B-08	8000 mm	±400
GT272225-2205B-07	7000 mm	±150
GT272225-2205B-06	6000 mm	±150
GT272225-2205B-05	5000 mm	±150
GT272225-2205B-04	4000 mm	±150
GT272225-2205B-03	3000 mm	±150
GT272225-2205B-02	2000 mm	±100
GT272225-2205B-01	1000 mm	±50
GT272225-2205B-29	900 mm	±40
GT272225-2205B-28	800 mm	±40
GT272225-2205B-27	700 mm	±40
GT272225-2205B-26	600 mm	±40
GT272225-2205B-25	500 mm	±40
GT272225-2205B-24	400 mm	±40
GT272225-2205B-23	300 mm	±40
GT272225-2205B-22	200 mm	±40
Part No.	Cable Length	Tol.

10	Shrink Tube	L=70mm Color: Clear	1
9	Label	60*40mm Color: Yellow	1
8	Cable	ST00W PVC, 16AWG*5C OD=13.0mm, Color: Black	1
7	Over Mold	PVC Color: Black	1
6	Inner Mold	PVC Color: Black	1
5	Screw Nut	Copper Alloy Finish: Ni Plated	1
4	Gasket	NBR Color: Black	1
3	Sleeve	Copper Alloy Color: Ni Plated	5
2	Contacts	Copper Alloy Finish: Au Plated	5
1	Housing	PVC Color: Black	1
Item	Part Name	Material / Finish	Q'ty

TITLE: Mini 8A 5P Cable End 90° Female With ST00W 16# Cable  
 DRAWING NUMBER: GT272225-2205B-XX  
 REV: A5

DD NOT SCALE DRAWINGS	SIZE	SCALE	DRAW / DATE	CHECK / DATE	APPROVE / DATE	TOLERANCES	UNIT	SHEET
THIRD ANGLE PROJECTION	B	1:1	Edwin 03/15/11	Lucas 03/15/11	Ray 03/15/11	X.X ± 0.5 X.XX ± 0.2	mm	1/1
						X.XXX ± 0.05 ANGLES ± 1°		

GT Contact CO.,LTD  
 NOTICE OF PROPRIETARY PROPERTY:  
 THE INFORMATION CONTAINED HEREIN IS THE PROPRIETARY PROPERTY OF GT Contact CO.,LTD THE POSSESSOR AGREES TO THE FOLLOWING:  
 (1) TO MAINTAIN THIS DOCUMENT IN CONFIDENCE  
 (2) NOT TO REPRODUCE OR COPY IT  
 (3) NOT TO REVEAL OR PUBLISH IT IN WHOLE OR PART  
 (4) ALL RIGHTS RESERVED