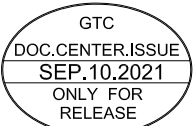
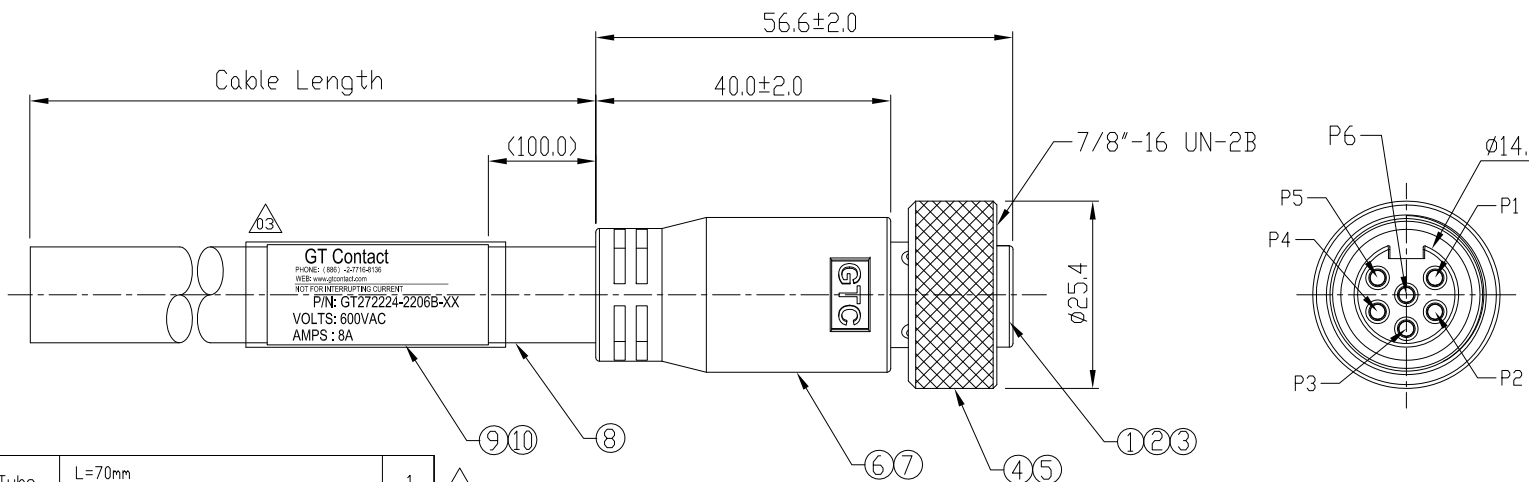


Notes: (Unless Otherwise Specified)

- 1. Waterproof Rate: IP68.
- 2. RoHS Compliant.

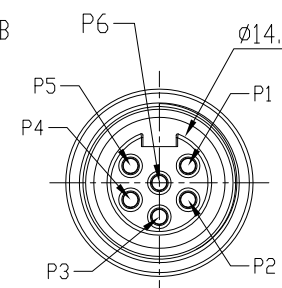


REV	ECN#	DESCRIPTION OF REVISION	DRAW BY DATE	CHECK BY DATE	APPROVE BY DATE
02	ECN-160305	增加標籤印字示意圖	Joyce 03/10/16	Lucas 03/10/16	Ray 03/10/16
03	ECN-210906	增加透明套管防Label翹開	Jenny 09/09/21	Lucas 09/09/21	Ray 09/09/21



1	White
2	Red
3	Green(Ground)
4	Orange
5	Black
6	Blue

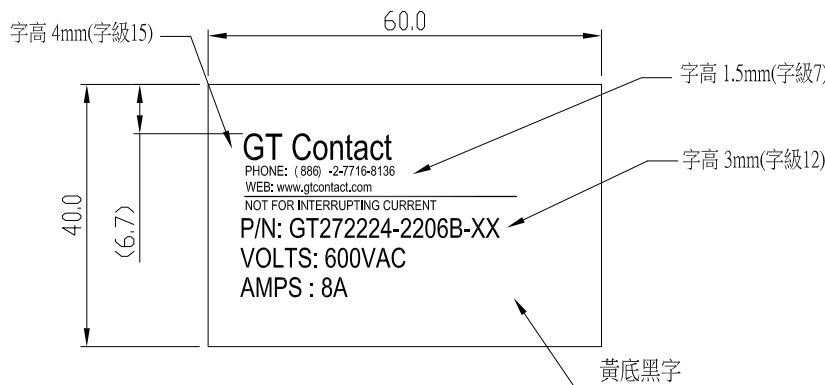
Wiring Diagram



GT272224-2206B-10	10000 mm	±500
GT272224-2206B-09	9000 mm	±450
GT272224-2206B-08	8000 mm	±400
GT272224-2206B-07	7000 mm	±150
GT272224-2206B-06	6000 mm	±150
GT272224-2206B-05	5000 mm	±150
GT272224-2206B-04	4000 mm	±150
GT272224-2206B-03	3000 mm	±150
GT272224-2206B-02	2000 mm	±100
GT272224-2206B-01	1000 mm	±50
GT272224-2206B-Z9	900 mm	±40
GT272224-2206B-Z8	800 mm	±40
GT272224-2206B-Z7	700 mm	±40
GT272224-2206B-Z6	600 mm	±40
GT272224-2206B-Z5	500 mm	±40
GT272224-2206B-Z4	400 mm	±20
GT272224-2206B-Z3	300 mm	±20
GT272224-2206B-Z2	200 mm	±10

Item	Part Name	Material / Finish	Q'ty
10	Shrink Tube	L=70mm Color: Clear	1
9	Label	60*40mm Color: Yellow	1
8	Cable	ST00W PVC, 16AWG*6C OD=13.8mm, Color: Black	1
7	Over Mold	PVC Color: Black	1
6	Inner Mold	PVC Color: Black	1
5	Screw Nut	Copper Alloy Finish: Ni Plated	1
4	Gasket	NBR Color: Black	1
3	Sleeve	Copper Alloy Color: Ni Plated	6
2	Contacts	Copper Alloy Finish: Au Plated	6
1	Housing	PVC Color: Black	1

標籤印字示意圖



Part No.	Cable Length	Tol.
----------	--------------	------

GT Contact CO.,LTD

NOTICE OF PROPRIETARY PROPERTY:
 THE INFORMATION CONTAINED HEREIN IS THE PROPRIETARY PROPERTY OF GT CONTACT CO.,LTD THE POSSESSOR AGREES TO THE FOLLOWING:
 (A) TO MAINTAIN THIS DOCUMENT IN CONFIDENCE
 (B) NOT TO REPRODUCE OR COPY IT
 (C) NOT TO REVEAL OR PUBLISH IT IN WHOLE OR PART
 (D) ALL RIGHTS RESERVED

TITLE						DRAWING NUMBER			REV.	
Mini 8A 6P Cable End Female With ST00W 16# Cable						GT272224-2206B-XX			03	
THIRD ANGLE PROJECTION	SIZE	SCALE	DRAW / DATE	CHECK / DATE	APPROVE / DATE	TOLERANCES		UNIT	SHEET	
	B	1:1	Lucas 06/29/15	Lucas 06/29/15	Ray 06/29/15	X.X ± 0.5 X.XX ± 0.2	X.XXX ± 0.05 ANGLES ± 1°	mm	1/1	