

1

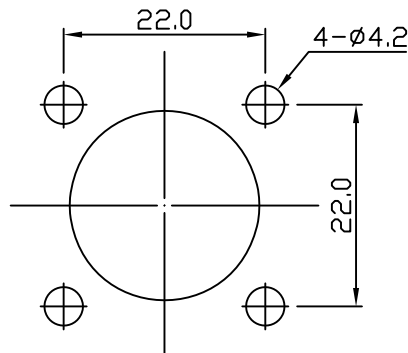
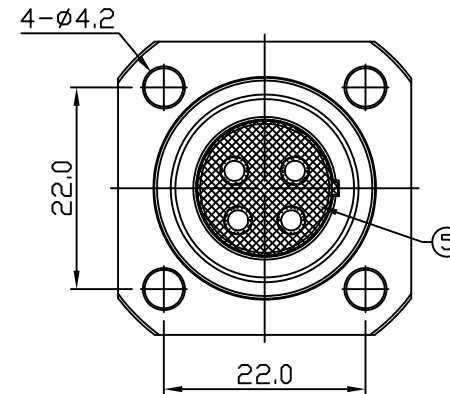
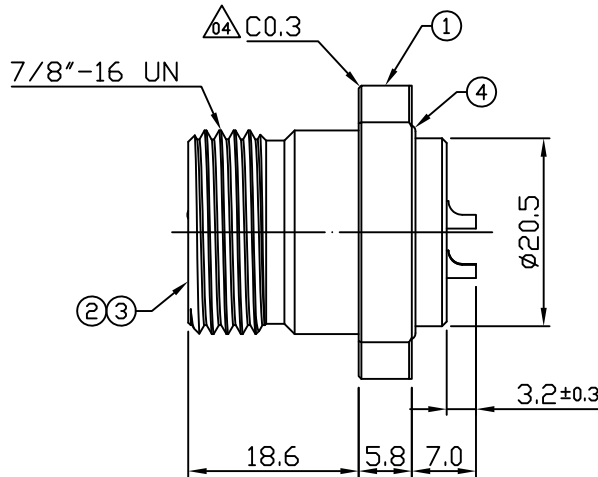
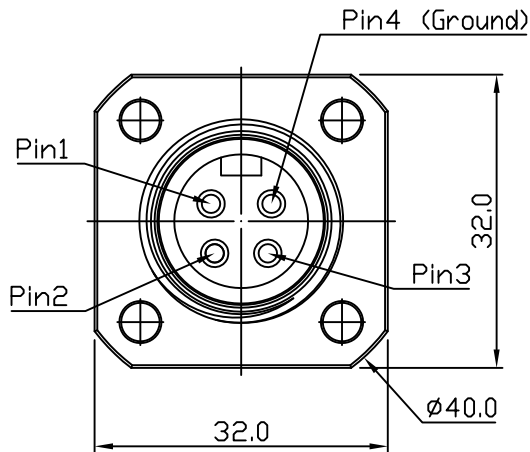
2

3

4

Notes: (Unless Otherwise Specified)
 1. Waterproof Rate: IP68.
 2. RoHS & REACH Compliant.

REV	ECN#	DESCRIPTION OF REVISION	DRAW BY DATE	CHECK BY DATE	APPROVE BY DATE
04	ECN-170413	Modify Chamfer is unilateral C0.3mm	Hank 04/24/17	Lucas 04/24/17	Ray 04/24/17



Recommend
Panel Cut-Out



5	Glue	Epoxy Color: Black	
4	O-Ring	Silicone Color: Red	1
3	Contacts	Copper Alloy Finish: Au Plated	4
2	Housing	PVC Color: Black	1
1	Metal Body	Copper Alloy Finish: Ni Plated	1
Item	Part Name	Material / Finish	Q'ty

GT Contact CO.,LTD

TITLE						DRAWING NUMBER			REV.	
Mini 10A 4P Panel Front mount Square flange Male Solder						GT272218-03040			04	
	B	1:1	Hank 10/12/16	Lucas 10/12/16	Ray 10/12/16	X.X ± 0.5	X.XXX ± 0.05	mm	1/1	
THIRD ANGLE PROJECTION	SIZE	SCALE	DRAW / DATE	CHECK / DATE	APPROVE / DATE	TOLERANCES		UNIT	SHEET	

NOTICE OF PROPRIETARY PROPERTY:
 THE INFORMATION CONTAINED HEREIN IS THE PROPRIETARY PROPERTY OF GT Contact CO.,LTD THE POSSESSOR AGREES TO THE FOLLOWING:
 (1) TO MAINTAIN THIS DOCUMENT IN CONFIDENCE
 (2) NOT TO REPRODUCE OR COPY IT
 (3) NOT TO REVEAL OR PUBLISH IT IN WHOLE OR PART
 (4) ALL RIGHTS RESERVED

1

2

3

4