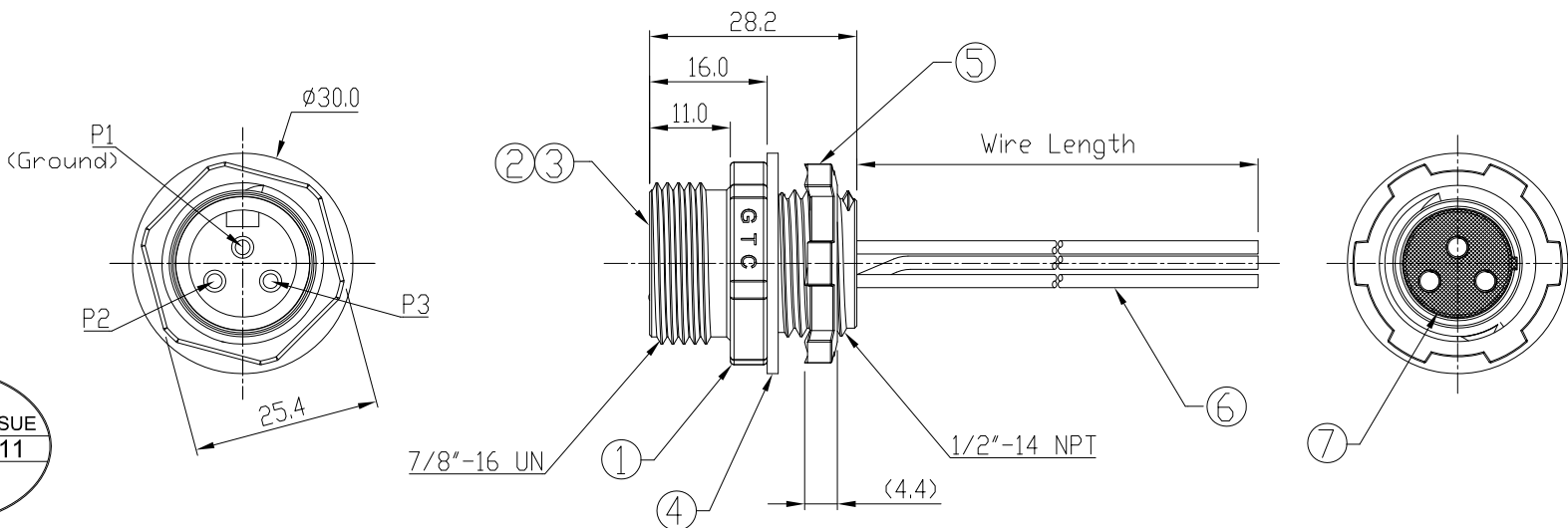


Notes: (Unless Otherwise Specified)

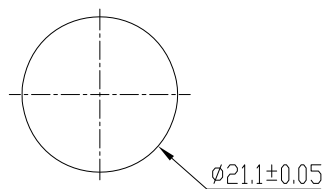
- 1. Waterproof Rate: IP68.
- 2. Recommend Panel Thickness: 0.8 To 5.0 mm.
- ⚠ 3. Recommend Torque: 19~20 Kgf-cm.
- 4. RoHS Compliant.

REV	ECN#	DESCRIPTION OF REVISION	DRAW BY DATE	CHECK BY DATE	APPROVE BY DATE
A0		Mass Production	Edwin 03/15/11	Ray 03/15/11	Ray 03/15/11
A1	ECN-111104	Modify Torque ⚠	Joyce 11/07/11	Lucas 11/07/11	Ray 11/07/11

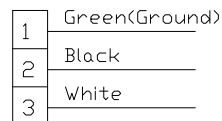


GTC  
 DOC.CENTER.ISSUE  
 NOV.08.2011  
 ONLY FOR  
 RELEASE

7	Glue	Epoxy Color: Black	
6	Wire	UL1015 14AWG, 105°C 600V Color: Green, Black, White	3
5	Hex Nut	Zinc Alloy Finish: Ni Plated	1
4	Gasket	Viton Color: Black	1
3	Contacts	Copper Alloy Finish: Au Plated	3
2	Housing	PVC Color: Black	1
1	Metal Body	Zinc Alloy Finish: Ni Plated	1
Item	Part Name	Material / Finish	Q'ty



Recommend Panel Cut-Out



Wiring Diagram

GT272213-24039-05	5000 mm	±250
GT272213-24039-01	1000 mm	±40
GT272213-24039-Z9	900 mm	±20
GT272213-24039-Z8	800 mm	±20
GT272213-24039-Z7	700 mm	±20
GT272213-24039-Z6	600 mm	±20
GT272213-24039-Z5	500 mm	±20
GT272213-24039-Z4	400 mm	±10
GT272213-24039-Z3	300 mm	±10
GT272213-24039-Z2	200 mm	±10
GT272213-24039-Z1	100 mm	±10
Part No.	Wire Length	Tol.

GT Contact CO.,LTD

NOTICE OF PROPRIETARY PROPERTY:

THE INFORMATION CONTAINED HEREIN IS THE PROPRIETARY PROPERTY OF GT Contact CO.,LTD THE POSSESSOR AGREES TO THE FOLLOWING:  
 (a) TO MAINTAIN THIS DOCUMENT IN CONFIDENCE  
 (b) NOT TO REPRODUCE OR COPY IT  
 (c) NOT TO REVEAL OR PUBLISH IT IN WHOLE OR PART  
 (d) ALL RIGHTS RESERVED

TITLE						DRAWING NUMBER			REV.	
Mini 13A 3P Panel Rear Mount Male With 14# Wire						GT272213-24039-XX			A1	
	B	1:1	Edwin 03/15/11	Lucas 03/15/11	Ray 03/15/11	X.X ± 0.5 X.XX ± 0.2	X.XXX ± 0.05 ANGLES ± 1°	mm	1/1	
THIRD ANGLE PROJECTION	SIZE	SCALE	DRAW / DATE	CHECK / DATE	APPROVE / DATE	TOLERANCES		UNIT	SHEET	