
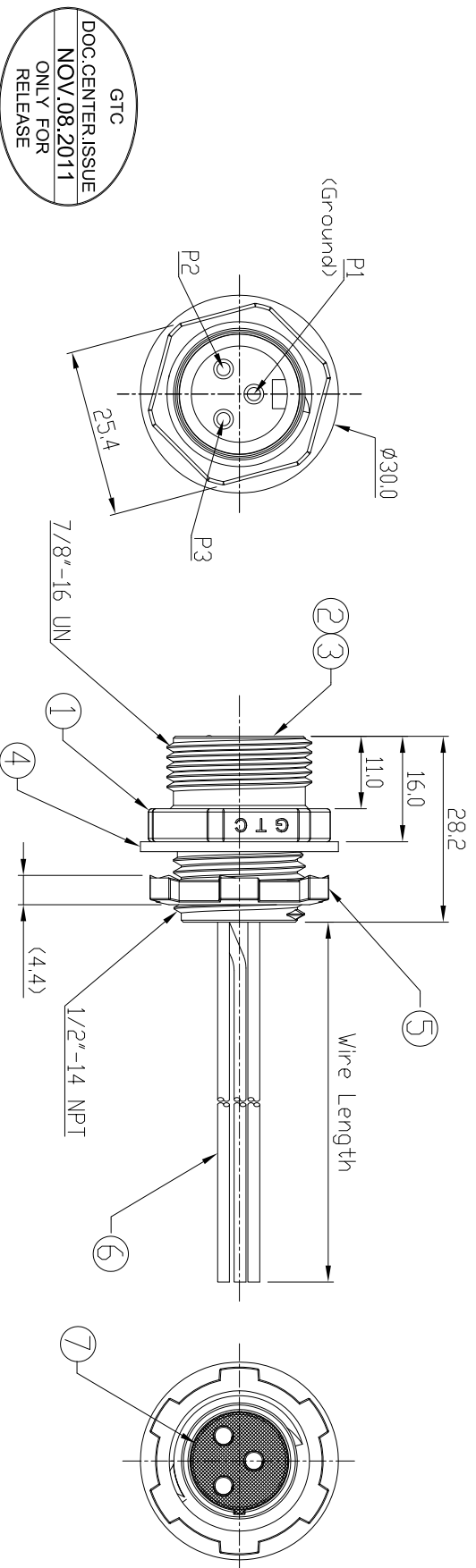
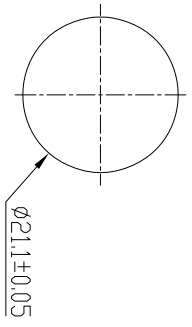


- Notes: (Unless Otherwise Specified)
1. Waterproof Rate: IP68.
 2. Recommend Panel Thickness: 0.8 To 5.0 mm.
 3. Recommend Torque: 19~20 Kgf-cm.
 4. RoHS Compliant.

REV	ECN#	DESCRIPTION OF REVISION	DRAW BY DATE	CHECK BY DATE	APPROVE BY DATE
A0		Mass Production	Edwin 03/15/11	Roy 03/15/11	Roy 03/15/11
A1	ECN-111104	Modify Torque 	Joyce 11/07/11	Lucas 11/07/11	Roy 11/07/11



GTC
DOC.CENTER.ISSUE
NOV.08.2011
ONLY FOR
RELEASE



Wiring Diagram

Recommend
Panel Cut-Out

GT272213-24038-05	5000 mm	±250
GT272213-24038-01	1000 mm	±40
GT272213-24038-29	900 mm	±20
GT272213-24038-28	800 mm	±20
GT272213-24038-27	700 mm	±20
GT272213-24038-26	600 mm	±20
GT272213-24038-25	500 mm	±20
GT272213-24038-24	400 mm	±10
GT272213-24038-23	300 mm	±10
GT272213-24038-22	200 mm	±10
GT272213-24038-21	100 mm	±10
Part No.	Wire Length	Tol.

Item	Part Name	Material / Finish	Qty
1	Metal Body	Zinc Alloy Finish: Ni Plated	1
2	Housing	PVC Color: Black	1
3	Contacts	Copper Alloy Finish: Au Plated	3
4	Gasket	Viton Color: Black	1
5	Hex Nut	Zinc Alloy Finish: Ni Plated	1
6	Wire	UL1015 16AWG, 105°C 600V Color: Green, Black, White	3
7	Glue	Epoxy Color: Black	

Mini 13A 3P Panel Rear Mount Male With 16# Wire

TITLE	DRAWING NUMBER	REV.
Mini 13A 3P Panel Rear Mount Male With 16# Wire	GT272213-24038-XX	A1
DD NOT SCALE DRAWINGS	XX ± 0.5 XXX ± 0.2	XXXX ± 0.05 ANGLES ± 1°
THIRD ANGLE PROJECTION	SIZE SCALE	DRAW / DATE
	B 1:1	Edwin 03/15/11
	CHECK / DATE	APPROVE / DATE
	Lucas 03/15/11	Roy 03/15/11
	TOLERANCES	UNIT SHEET
		mm 1/1

GT Contact CD,LT D

NOTICE OF PROPRIETARY PROPERTY

THE INFORMATION CONTAINED HEREIN IS THE PROPRIETARY PROPERTY OF GT CONTACT CO.,LTD THE POSSESSOR AGREES TO MAINTAIN THIS DOCUMENT IN CONFIDENCE AND NOT TO REPRODUCE, PUBLISH IT IN WHOLE OR PART (S) ALL RIGHTS RESERVED