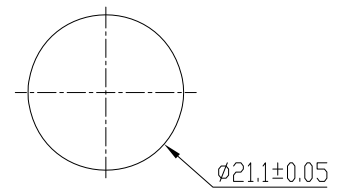
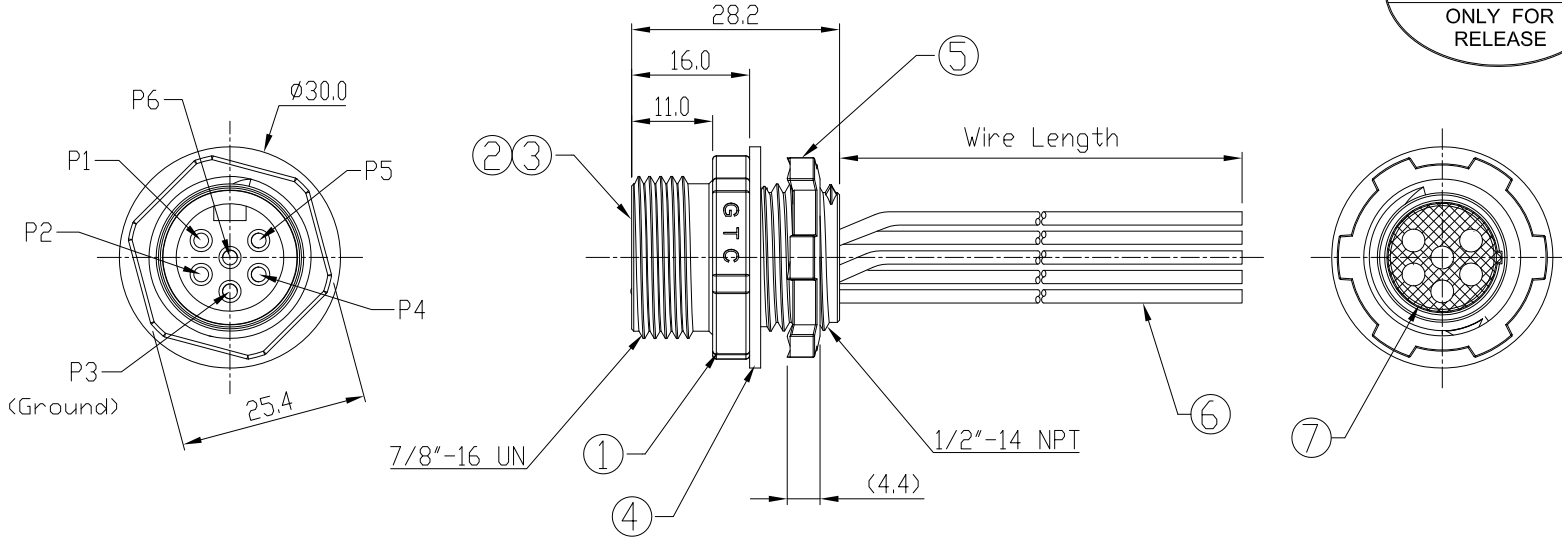


Notes: (Unless Otherwise Specified)

1. Waterproof Rate: IP68.
2. Recommend Panel Thickness: 0.8 To 5.0 mm.
3. Recommend Torque: 19~20 Kgf-cm.
4. RoHS Compliant.

REV	ECN#	DESCRIPTION OF REVISION	DRAW BY DATE	CHECK BY DATE	APPROVE BY DATE
01			Lucas 07/09/15	Lucas 07/09/15	Ray 07/09/15

GTC
R&D DEPT. ISSUE
JUL.13.2015
ONLY FOR
RELEASE



Recommend
Panel Cut-Out

- | | |
|---|---------------|
| 1 | White |
| 2 | Red |
| 3 | Green(Ground) |
| 4 | Orange |
| 5 | Black |
| 6 | Blue |

Wiring Diagram

GT272213-22068-01	1000 mm	±50
GT272213-22068-Z9	900 mm	±40
GT272213-22068-Z8	800 mm	±40
GT272213-22068-Z7	700 mm	±40
GT272213-22068-Z6	600 mm	±40
GT272213-22068-Z5	500 mm	±40
GT272213-22068-Z4	400 mm	±20
GT272213-22068-Z3	300 mm	±20
GT272213-22068-Z2	200 mm	±10
GT272213-22068-Z1	100 mm	±10
Part No.	Wire Length	Tol.

Item	Part Name	Material / Finish	Q'ty
7	Glue	Epoxy Color: Black	
6	Wire	UL1015 16AWG, 105°C 600V Color: See Wiring Diagram	6
5	Hex Nut	Zinc Alloy Finish: Ni Plated	1
4	Gasket	Viton Color: Black	1
3	Contacts	Copper Alloy Finish: Au Plated	6
2	Housing	PVC Color: Black	1
1	Metal Body	Zinc Alloy Finish: Ni Plated	1

TITLE						DRAWING NUMBER			REV.	
Mini 8A 6P Panel Rear Mount Male With 16# Wire						GT272213-22068-XX			01	
THIRD ANGLE PROJECTION	SIZE	SCALE	DRAW / DATE	CHECK / DATE	APPROVE / DATE	TOLERANCES		UNIT	SHEET	
	B	1:1	Lucas 07/09/15	Lucas 07/09/15	Ray 07/09/15	X.X ± 0.5 X.XX ± 0.2	X.XXX ± 0.05 ANGLES ± 1°	mm	1/1	

GT Contact CO.,LTD

NOTICE OF PROPRIETARY PROPERTY:
THE INFORMATION CONTAINED HEREIN IS THE PROPRIETARY PROPERTY OF GT Contact CO.,LTD THE POSSESSOR AGREES TO THE FOLLOWING:
(a) TO MAINTAIN THIS DOCUMENT IN CONFIDENCE
(b) NOT TO REPRODUCE OR COPY IT
(c) NOT TO REVEAL OR PUBLISH IT IN WHOLE OR PART
(d) ALL RIGHTS RESERVED