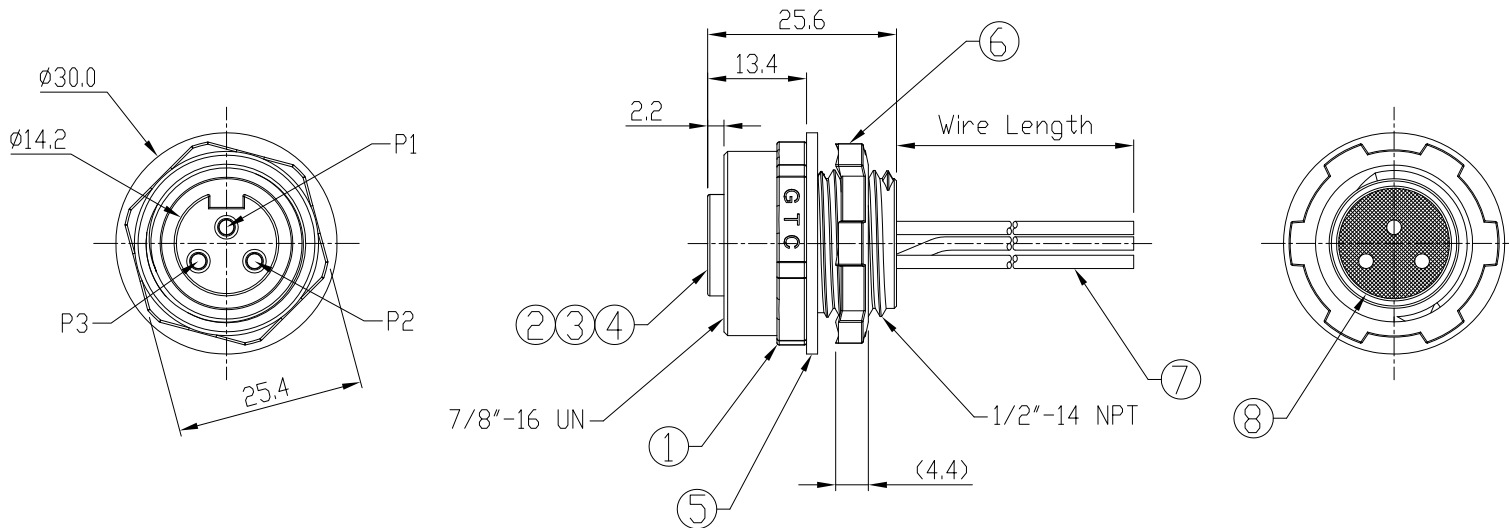


Notes: (Unless Otherwise Specified)

1. Waterproof Rate: IP68.
2. Recommend Panel Thickness: 0.8 To 5.0 mm.
- ⚠ 3. Recommend Torque: 19~20 Kgf-cm.
4. RoHS Compliant.

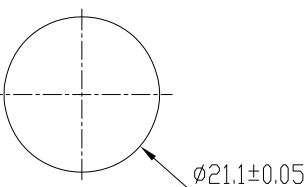
REV	ECN#	DESCRIPTION OF REVISION	DRAW BY DATE	CHECK BY DATE	APPROVE BY DATE
A0		Mass Production	Edwin 03/15/11	Lucas 03/15/11	Ray 03/15/11
A1	ECN-111104	Modify Torque ⚠	Joyce 11/07/11	Lucas 11/07/11	Ray 11/07/11



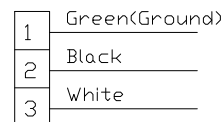
GTC  
DOC.CENTER.ISSUE  
NOV.08.2011  
ONLY FOR  
RELEASE

8	Glue	Epoxy Color: Black	
7	Wire	UL1015 16AWG, 105°C 600V Color: Green, Black, White	3
6	Hex Nut	Zinc Alloy Finish: Ni Plated	1
5	Gasket	Viton Color: Black	1
4	Sleeve	Copper Alloy Finish: Ni Plated	3
3	Contacts	Copper Alloy Finish: Au Plated	3
2	Housing	PVC Color: Black	1
1	Metal Body	Zinc Alloy Finish: Ni Plated	1
Item	Part Name	Material / Finish	Q'ty

GT272203-24038-05	5000 mm	±250
GT272203-24038-01	1000 mm	±40
GT272203-24038-Z9	900 mm	±20
GT272203-24038-Z8	800 mm	±20
GT272203-24038-Z7	700 mm	±20
GT272203-24038-Z6	600 mm	±20
GT272203-24038-Z5	500 mm	±20
GT272203-24038-Z4	400 mm	±10
GT272203-24038-Z3	300 mm	±10
GT272203-24038-Z2	200 mm	±10
GT272203-24038-Z1	100 mm	±10
Part No.	Wire Length	Tol.



Recommend  
Panel Cut-Out



Wiring Diagram

TITLE						DRAWING NUMBER			REV.	
Mini 13A 3P Panel Rear Mount Female With 16# Wire						GT272203-24038-XX			A1	
THIRD ANGLE PROJECTION	SIZE	SCALE	DRAW / DATE	CHECK / DATE	APPROVE / DATE	TOLERANCES		UNIT	SHEET	
	B	1:1	Edwin 10/26/10	Ray 10/26/10	Ray 10/26/10	X.X ± 0.5 X.XX ± 0.2	X.XXX ± 0.05 ANGLES ± 1°	mm	1/1	

GT Contact CO.,LTD

NOTICE OF PROPRIETARY PROPERTY:  
THE INFORMATION CONTAINED HEREIN IS THE PROPRIETARY PROPERTY OF GT Contact CO.,LTD THE POSSESSOR AGREES TO THE FOLLOWING:  
(a) TO MAINTAIN THIS DOCUMENT IN CONFIDENCE  
(b) NOT TO REPRODUCE OR COPY IT  
(c) NOT TO REVEAL OR PUBLISH IT IN WHOLE OR PART  
(d) ALL RIGHTS RESERVED