
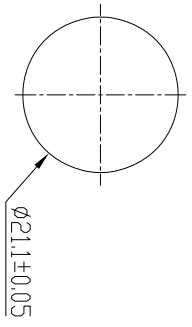
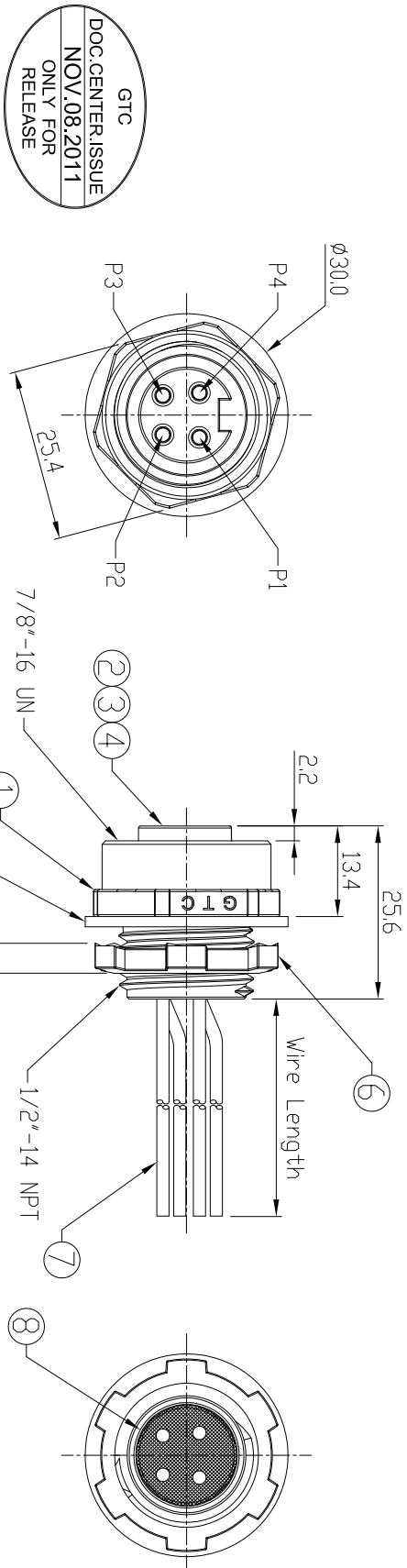


- Notes: (Unless Otherwise Specified)
1. Waterproof Rate: IP68.
 2. Recommend Panel Thickness: 0.8 To 5.0 mm.
 3. Recommend Torque: 19~20 Kgf-cm.
 4. RoHS Compliant.

REV	ECN#	DESCRIPTION OF REVISION	DRAW BY DATE	CHECK BY DATE	APPROVE BY DATE
A0		Mass Production	Edwin 03/15/11	Lucas 03/15/11	Roy 03/15/11
A1	ECN-111104	Modify Torque 	Joyce 11/07/11	Lucas 11/07/11	Roy 11/07/11



Wiring Diagram

1	Black
2	Red
3	White
4	Green(Ground)


Recommend
Panel Cut-Out

Item	Part Name	Material / Finish	Qty
8	Glue	Epoxy Color: Black	
7	Wire	UL1015 16AWG, 105°C 600V Color: Black, Red, White, Green	4
6	Hex Nut	Zinc Alloy Finish: Ni Plated	1
5	Gasket	Viton Color: Black	1
4	Sleeve	Copper Alloy Finish: Ni Plated	4
3	Contacts	Copper Alloy Finish: Au Plated	4
2	Housing	PVC Color: Black	1
1	Metal Body	Zinc Alloy Finish: Ni Plated	1

GT272203-23048-05	5000 mm	±250
GT272203-23048-01	1000 mm	±50
GT272203-23048-79	900 mm	±20
GT272203-23048-78	800 mm	±20
GT272203-23048-77	700 mm	±20
GT272203-23048-76	600 mm	±20
GT272203-23048-75	500 mm	±20
GT272203-23048-74	400 mm	±10
GT272203-23048-73	300 mm	±10
GT272203-23048-72	200 mm	±10
GT272203-23048-71	100 mm	±10
Part No.	Wire Length	Tol.

Mini 10A 4P Panel Rear Mount Female With 16# Wire

TITLE	DRAWING NUMBER	REV.
Mini 10A 4P Panel Rear Mount Female With 16# Wire	GT272203-23048-XX	A1

DO NOT SCALE DRAWINGS	SIZE	SCALE	DRAW / DATE	CHECK / DATE	APPROVE / DATE	TOLERANCES	UNIT	SHEET
	B	1:1	Edwin 03/15/11	Lucas 03/15/11	Roy 03/15/11	XX ± 0.5 XXX ± 0.2	mm	1/1

GT Contact CD,LT D

NOTICE OF PROPRIETARY PROPERTY

THE INFORMATION CONTAINED HEREIN IS THE PROPRIETARY PROPERTY OF GT CONTACT CD,LT D. THE POSSESSOR AGREES TO MAINTAIN THIS DOCUMENT IN CONFIDENCE AND NOT TO REPRODUCE, PUBLISH IT IN WHOLE OR PART (S) ALL RIGHTS RESERVED