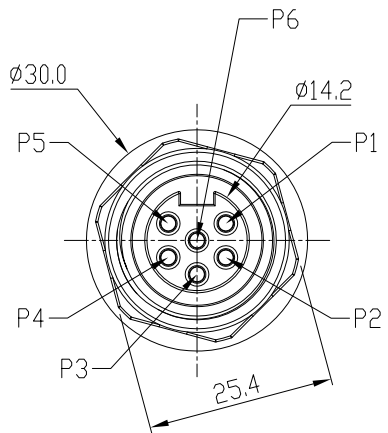


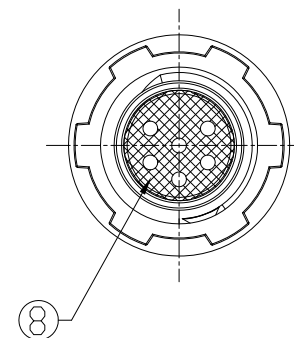
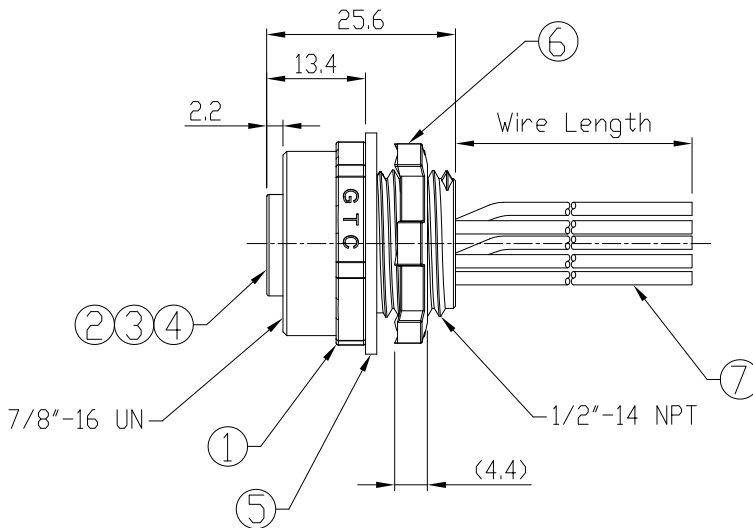
Notes: (Unless Otherwise Specified)

1. Waterproof Rate: IP68.
2. Recommend Panel Thickness: 0.8 To 5.0 mm.
3. Recommend Torque: 19~20 Kgf-cm.
4. RoHS Compliant.

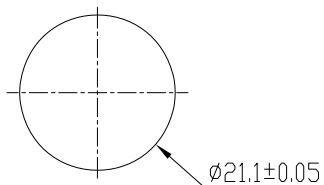
REV	ECN#	DESCRIPTION OF REVISION	DRAW BY DATE	CHECK BY DATE	APPROVE BY DATE
01			Lucas 06/29/15	Lucas 06/29/15	Ray 06/29/15



GTC
R&D DEPT. ISSUE
JUL.09.2015
ONLY FOR
RELEASE



8	Glue	Epoxy Color: Black	
7	Wire	UL1015 16AWG, 105°C 600V Color: See Wiring Diagram	6
6	Hex Nut	Zinc Alloy Finish: Ni Plated	1
5	Gasket	Viton Color: Black	1
4	Sleeve	Copper Alloy Finish: Ni Plated	6
3	Contacts	Copper Alloy Finish: Au Plated	6
2	Housing	PVC Color: Black	1
1	Metal Body	Zinc Alloy Finish: Ni Plated	1
Item	Part Name	Material / Finish	Q'ty



Recommend
Panel Cut-Out

1	White
2	Red
3	Green(Ground)
4	Orange
5	Black
6	Blue

Wiring Diagram

GT272203-22068-01	1000 mm	±50
GT272203-22068-Z9	900 mm	±40
GT272203-22068-Z8	800 mm	±40
GT272203-22068-Z7	700 mm	±40
GT272203-22068-Z6	600 mm	±40
GT272203-22068-Z5	500 mm	±40
GT272203-22068-Z4	400 mm	±20
GT272203-22068-Z3	300 mm	±20
GT272203-22068-Z2	200 mm	±10
GT272203-22068-Z1	100 mm	±10
Part No.	Wire Length	Tol.

GT Contact CO.,LTD

NOTICE OF PROPRIETARY PROPERTY:

THE INFORMATION CONTAINED HEREIN IS THE PROPRIETARY PROPERTY OF GT CONTACT CO.,LTD THE POSSESSOR AGREES TO THE FOLLOWING:
 (a) TO MAINTAIN THIS DOCUMENT IN CONFIDENCE
 (b) NOT TO REPRODUCE OR COPY IT
 (c) NOT TO REVEAL OR PUBLISH IT IN WHOLE OR PART
 (d) ALL RIGHTS RESERVED

TITLE						DRAWING NUMBER			REV.
Mini 8A 6P Panel Rear Mount Female With 16# Wire						GT272203-22068-XX			01
	B	1:1	Lucas 06/29/15	Lucas 06/29/15	Ray 06/29/15	X.X ± 0.5 X.XX ± 0.2	X.XXX ± 0.05 ANGLES ± 1°	mm	1/1
THIRD ANGLE PROJECTION	SIZE	SCALE	DRAW / DATE	CHECK / DATE	APPROVE / DATE	TOLERANCES		UNIT	SHEET