

1

2

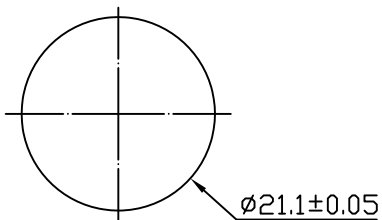
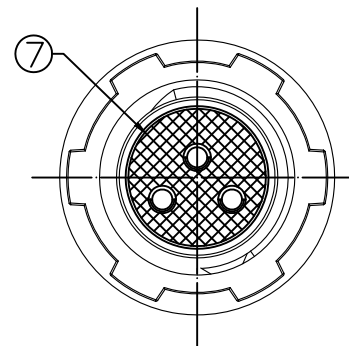
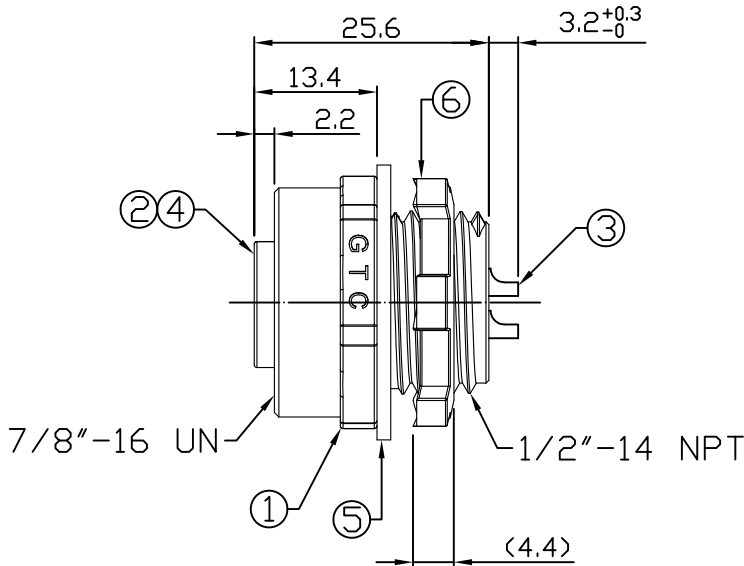
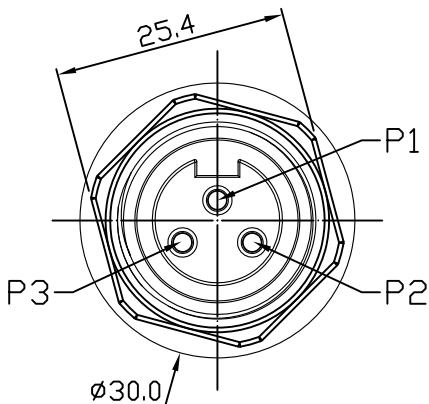
3

4

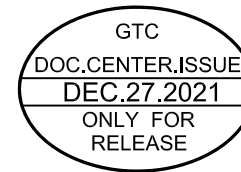
Notes: (Unless Otherwise Specified)

- 1. Waterproof Rate: IP68.
- 2. Recommend Panel Thickness: 0.8 to 5.0 mm.
- 3. Recommend Torque: 19~20 Kgf-cm.
- 4. Mating Cap P/N: GT1C7330X2.
- 5. RoHS Compliant.

REV	ECN#	DESCRIPTION OF REVISION	DRAW BY DATE	CHECK BY DATE	APPROVE BY DATE
A0			Aileen 12/27/21	Lucas 12/27/21	Ray 12/27/21



Recommend Panel Cut-Out



7	Glue	Epoxy Color: Black	
6	Hex Nut	Zinc Alloy Finish: Ni Plated	1
5	Gasket	Viton Color: Black	1
4	Sleeve	Copper Alloy Finish: Ni Plated	3
3	Contacts	Copper Alloy Finish: Au Plated	3
2	Housing	PVC Color: Black	1
1	Metal Body	Zinc Alloy Finish: Ni Plated	1
Item	Part Name	Material / Finish	Q'ty

GT Contact CO.,LTD

NOTICE OF PROPRIETARY PROPERTY:  
THE INFORMATION CONTAINED HEREIN IS THE PROPRIETARY PROPERTY OF GT Contact CO.,LTD THE POSSESSOR AGREES TO THE FOLLOWING:  
 (1) TO MAINTAIN THIS DOCUMENT IN CONFIDENCE  
 (2) NOT TO REPRODUCE OR COPY IT  
 (3) NOT TO REVEAL OR PUBLISH IT IN WHOLE OR PART  
 (4) ALL RIGHTS RESERVED

TITLE						DRAWING NUMBER			REV.	
Mini 13A 3P Panel Rear Mount Female Solder						GT272203-04030			A0	
	B	1:1	Aileen 12/27/21	Lucas 12/27/21	Ray 12/27/21	X.X ± 0.5	X.XX ± 0.05	mm	1/1	
THIRD ANGLE PROJECTION	SIZE	SCALE	DRAW / DATE	CHECK / DATE	APPROVE / DATE	TOLERANCES		UNIT	SHEET	

1

2

3

4