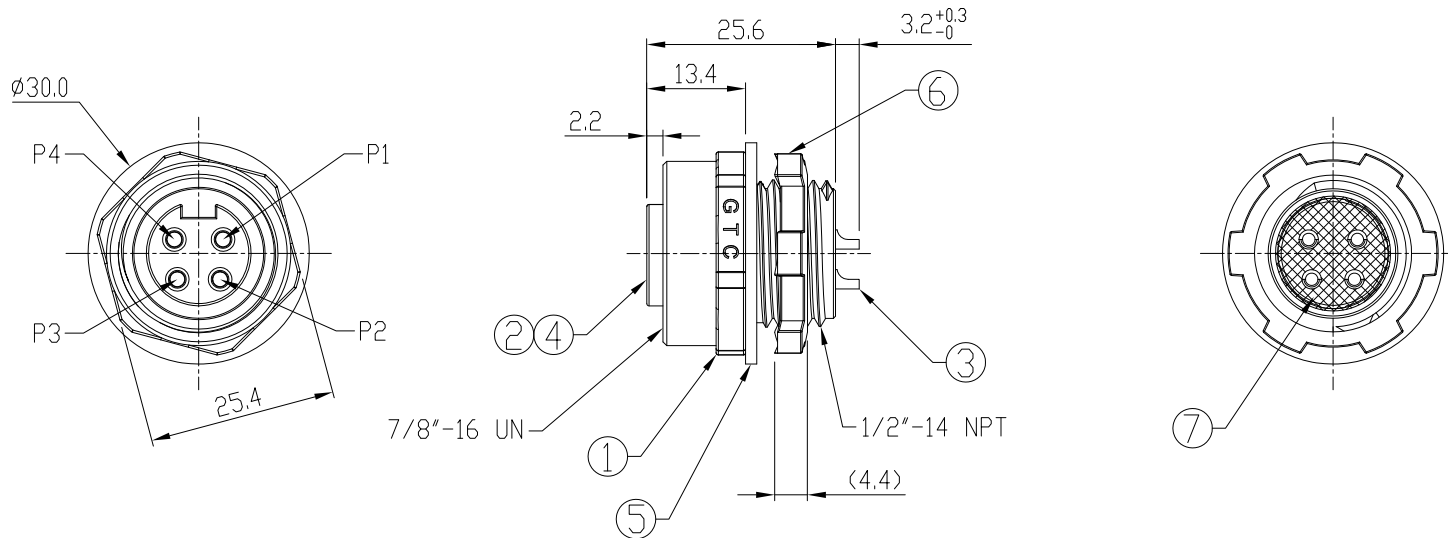


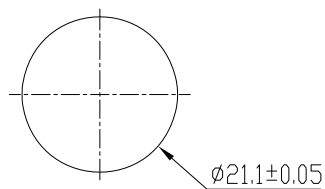
Notes: (Unless Otherwise Specified)

1. Waterproof Rate: IP68.
2. Recommend Panel Thickness: 0.8 To 5.0 mm.
3. Recommend Torque: 19~20 Kgf-cm.
4. Mating Cap P/N: GT1C7330X2.
5. RoHS Compliant.

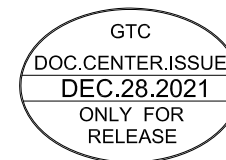
REV	ECN#	DESCRIPTION OF REVISION	DRAW BY DATE	CHECK BY DATE	APPROVE BY DATE
A0	ECN-211221	Ver.01 To Ver.A0	Aileen 28/12/21	Lucas 28/12/21	Ray 28/12/21



7	Glue	Epoxy Color: Black	
6	Hex Nut	Zinc Alloy Finish: Ni Plated	1
5	Gasket	Viton Color: Black	1
4	Sleeve	Copper Alloy Finish: Ni Plated	4
3	Contacts	Copper Alloy Finish: Au Plated	4
2	Housing	PVC Color: Black	1
1	Metal Body	Zinc Alloy Finish: Ni Plated	1
Item	Part Name	Material / Finish	Q'ty



Recommend
Panel Cut-Out



GT Contact CO.,LTD

NOTICE OF PROPRIETARY PROPERTY:
THE INFORMATION CONTAINED HEREIN IS THE PROPRIETARY PROPERTY OF GT Contact CO.,LTD THE POSSESSOR AGREES TO THE FOLLOWING:
(a) TO MAINTAIN THIS DOCUMENT IN CONFIDENCE
(b) NOT TO REPRODUCE OR COPY IT
(c) NOT TO REVEAL OR PUBLISH IT IN WHOLE OR PART
(d) ALL RIGHTS RESERVED

TITLE						DRAWING NUMBER			REV.
Mini 10A 4P Panel Rear Mount Female Solder						GT272203-03040			A0
	B	1:1	Whitney 08/07/18	Lucas 08/07/18	Ray 08/07/18	X.X ± 0.5 X.XX ± 0.2	X.XXX ± 0.05 ANGLES ± 1°	mm	1/1
THIRD ANGLE PROJECTION	SIZE	SCALE	DRAW / DATE	CHECK / DATE	APPROVE / DATE	TOLERANCES		UNIT	SHEET