

1

2

3

4

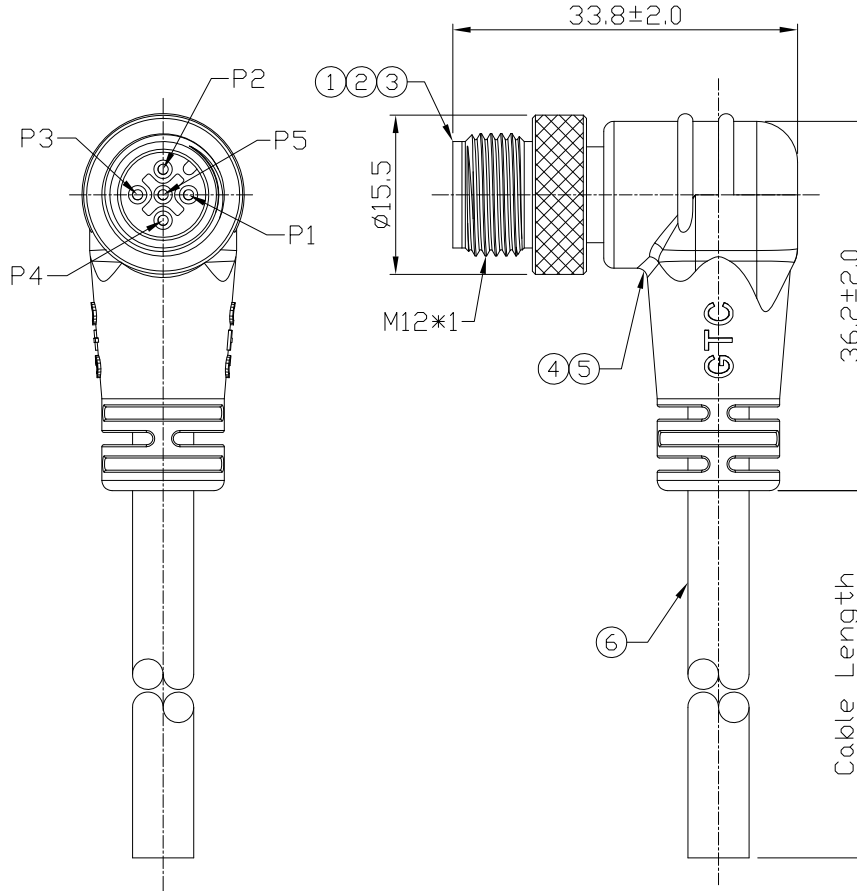
Notes: (Unless Otherwise Specified)

- 1. Water Proof Rate: IP68.
- 2. Durability: 100 Cycles Min.
- 3. DWV: 1000 Vrms
- 4. Insulation Resistance: 100 MΩ Min.
- 5. RoHS Compliant

REV	ECN#	DESCRIPTION OF REVISION	DRAW BY DATE	CHECK BY DATE	APPROVE BY DATE
01			Lucas 02/13/19	Lucas 02/13/19	Ray 02/13/19

1	Shield Braid
2	Red (18 AWG)
3	Black (18 AWG)
4	White (22 AWG)
5	Blue (22 AWG)

Wiring Diagram



Part No.	Cable Length	Tol.
GT271135-21055-10	10000 mm	+500
GT271135-21055-09	9000 mm	+450
GT271135-21055-08	8000 mm	+400
GT271135-21055-07	7000 mm	+150
GT271135-21055-06	6000 mm	+150
GT271135-21055-05	5000 mm	+150
GT271135-21055-04	4000 mm	+150
GT271135-21055-03	3000 mm	+100
GT271135-21055-02	2000 mm	+100
GT271135-21055-01	1000 mm	+50
GT271135-21055-29	900 mm	+50
GT271135-21055-28	800 mm	+50
GT271135-21055-27	700 mm	+50
GT271135-21055-26	600 mm	+50
GT271135-21055-25	500 mm	+50
GT271135-21055-24	400 mm	+50
GT271135-21055-23	300 mm	+25
GT271135-21055-22	200 mm	+25

Item	Part Name	Material / Finish	Qty
6	Cable	UL2725 18AWG*1P+22AWG*1P+AU/My+D+B Color: Black, OD: 6.0mm	1
5	Over Mold	PVC Color: Black	1
4	Inner Mold	PVC 30P Color: Black	1
3	Screw Nut	Copper Alloy Finish: Ni Plated	1
2	Contacts	Copper Alloy Finish: Au Plated	5
1	Housing	Thermoplastic Color: Black	1

TITLE Micro 4A 5P Cable End Male With UL2725 Cable						DRAWING NUMBER GT271135-21055-XX			REV. 01	
DO NOT SCALE DRAWINGS		B	N/A	Lucas 02/13/19	Lucas 02/13/19	Ray 02/13/19	X.X ± 0.5 X.XX ± 0.2	X.XXX ± 0.05 ANGLES ± 1°	mm	1/1
THIRD ANGLE PROJECTION		SIZE	SCALE	DRAW / DATE	CHECK / DATE	APPROVE / DATE	TOLERANCES		UNIT	SHEET

GT Contact CO.,LTD

NOTICE OF PROPRIETARY PROPERTY:

THE INFORMATION CONTAINED HEREIN IS THE PROPRIETARY PROPERTY OF GT Contact CO.,LTD THE POSSESSOR AGREES TO THE FOLLOWING:

- (a) TO MAINTAIN THIS DOCUMENT IN CONFIDENCE
- (b) NOT TO REPRODUCE OR COPY IT
- (c) NOT TO REVEAL OR PUBLISH IT IN WHOLE OR PART
- (d) ALL RIGHTS RESERVED

1

2

3

4