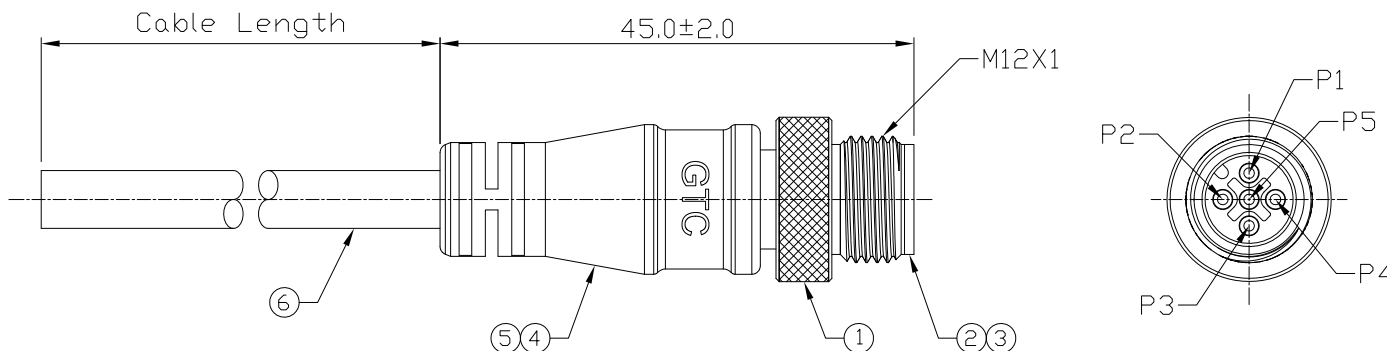


Notes: (Unless Otherwise Specified)

1. Waterproof Rate: IP68.
2. Durability: 100 Cycles Min.
3. DWV: 1000 Vrms
4. nsulation Resistance: 100 MΩ Min.
5. RoHS Compliant.

REV	ECN#	DESCRIPTION OF REVISION	DRAW BY DATE	CHECK BY DATE	APPROVE BY DATE
A0		Mass Production	Lucas 05/19/15	Lucas 05/19/15	Ray 05/19/15
A1	ECN-151113	Inner Mold Changed PVC 30P	Karen 11/25/15	Lucas 11/25/15	Ray 11/25/15

GTC
DOC.CENTER.ISSUE
NOV.25.2015
ONLY FOR
RELEASE



GT271134-21055-10	10000 mm	±500
GT271134-21055-09	9000 mm	±450
GT271134-21055-08	8000 mm	±400
GT271134-21055-07	7000 mm	±150
GT271134-21055-06	6000 mm	±150
GT271134-21055-05	5000 mm	±150
GT271134-21055-04	4000 mm	±150
GT271134-21055-03	3000 mm	±150
GT271134-21055-02	2000 mm	±100
GT271134-21055-01	1000 mm	±50
GT271134-21055-Z9	900 mm	±40
GT271134-21055-Z8	800 mm	±40
GT271134-21055-Z7	700 mm	±40
GT271134-21055-Z6	600 mm	±40
GT271134-21055-Z5	500 mm	±40
GT271134-21055-Z4	400 mm	±20
GT271134-21055-Z3	300 mm	±20
GT271134-21055-Z2	200 mm	±10
Part No.	Cable Length	Tol.

1	Shield Braid
2	Red (18 AWG)
3	Black (18 AWG)
4	White (22 AWG)
5	Blue (22 AWG)

Wiring Diagram

6	Cable	UL2725 1P*18AWG+1P*22AWG+Al/My+D+B Color: Black, OD=6.0mm	1
5	Over Mold	PVC Color: Black	1
4	Inner Mold	PVC 30P Color: Black	1
3	Contacts	Copper Alloy Finish: Au Plated	5
2	Screw Nut	Copper Alloy Finish: Ni Plated	1
1	Housing	Thermoplastic Color: Black	1
Item	Part Name	Material / Finish	Q'ty

△A1

TITLE						DRAWING NUMBER			REV.
Micro 4A 5P Cable End Male With UL2725 Cable						GT271134-21055-XX			A1
	B	N/A	Lucas 05/19/15	Lucas 05/19/15	Ray 05/19/15	X.X ± 0.5 X.XX ± 0.2	X.XXX ± 0.05 ANGLES ± 1°	mm	1/1
THIRD ANGLE PROJECTION	SIZE	SCALE	DRAW / DATE	CHECK / DATE	APPROVE / DATE	TOLERANCES		UNIT	SHEET

GT Contact CO.,LTD

NOTICE OF PROPRIETARY PROPERTY:
THE INFORMATION CONTAINED HEREIN IS THE PROPRIETARY PROPERTY OF GT Contact CO.,LTD THE POSSESSOR AGREES TO THE FOLLOWING:
(a) TO MAINTAIN THIS DRAWING IN CONFIDENCE
(b) NOT TO REPRODUCE OR COPY IT
(c) NOT TO REVEAL OR PUBLISH IT IN WHOLE OR PART
(d) ALL RIGHTS RESERVED