

1

2

3

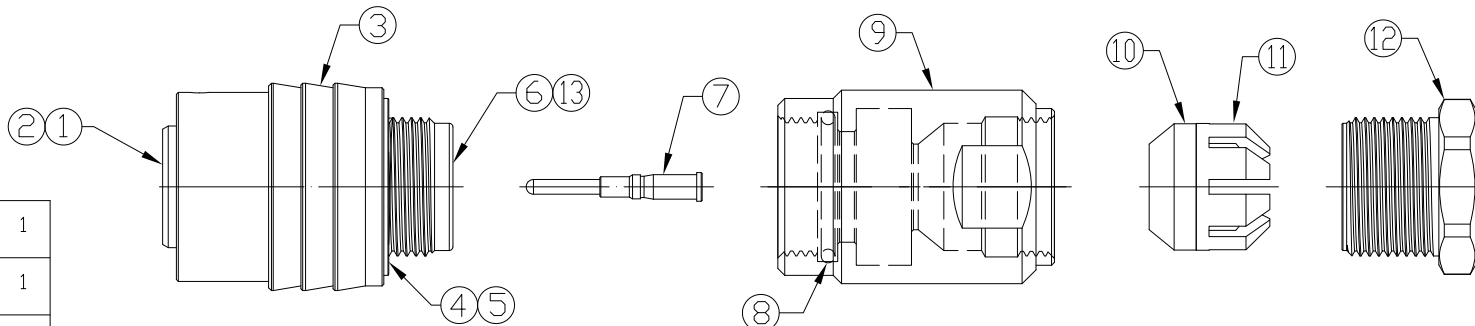
4

Notes: (Unless otherwise Specified)

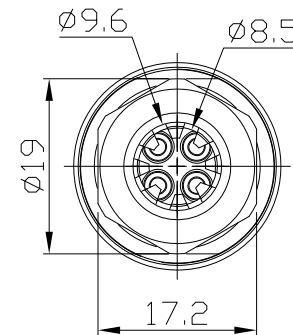
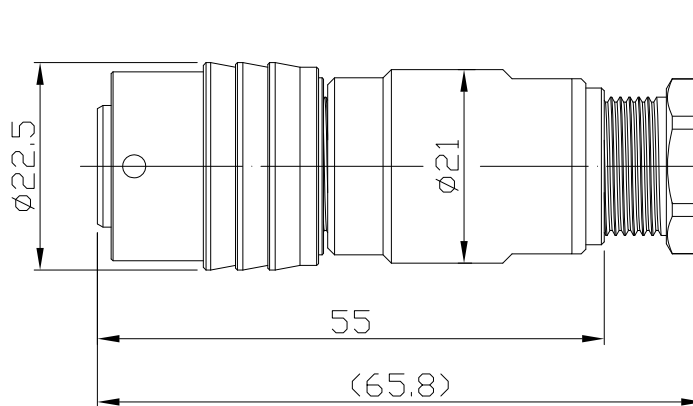
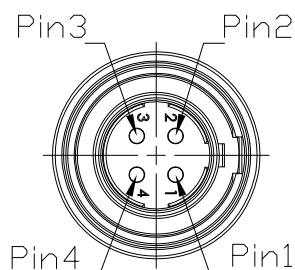
- 1. Waterproof Rate : IP68
- 2. Cable Diameter: 6.0 to 8.5 mm  $\Delta$
- 3. Recommend Cover Torque: 9~10 Kgf-cm
- 4. Recommend Gland Nut Torque: 9~10 Kgf-cm
- 5. RoHS Compliant

REV	ECN#	DESCRIPTION OF REVISION	DRAW BY DATE	CHECK BY DATE	APPROVE BY DATE
A2	ECN-190208	Cable Diameter: 7.0mm to 8.5mm => 6.0mm to 8.5mm	Whitney 03/05/19	Lucas 03/05/19	Ray 03/05/19

GTC  
DOC.CENTER.ISSUE  
MAR.06.2019  
ONLY FOR  
RELEASE



13	C-Ring	SUS304 Finish: -	1
12	Metal Gland Nut	Copper Alloy Finish: Ni Plated	1
11	Cage	Thermoplastic Color: White	1
10	Gland	Silicone Color: Red	1
9	Metal Cover	Copper Alloy Finish: Ni Plated	1
8	O-Ring	Silicone Color: Gray	1
7	Contacts	Copper Alloy Finish: Au Plated	4
6	Base	Thermoplastic Color: Black	1
5	Metal Holder	Copper Alloy Finish: Ni Plated	1
4	Spring	SUS304 Finish:-	1
3	Metal Push Nut	Copper Alloy Finish: Ni Plated	1
2	Housing	Thermoplastic Color: Black	1
1	Metal Body	Copper Alloy Finish: Ni Plated	1
Item	Part Name	Material / Finish	Q'ty



GT Contact CO.,LTD

NOTICE OF PROPRIETARY PROPERTY:  
THE INFORMATION CONTAINED HEREIN IS THE PROPRIETARY PROPERTY OF GT CONTACT CO.,LTD THE POSSESSOR AGREES TO THE FOLLOWING:  
(A) TO MAINTAIN THIS DOCUMENT IN CONFIDENCE  
(B) NOT TO REPRODUCE OR COPY IT  
(C) NOT TO REVEAL OR PUBLISH IT IN WHOLE OR PART  
(D) ALL RIGHTS RESERVED

TITLE						DRAWING NUMBER			REV.	
Push Lock S3 10A 4P Field Installable Cable End Male Crimp						GT261311-14043			A2	
	B	1:1	Hank 03/03/14	Ray 03/03/14	Ray 03/03/14	X.X ± 0.5 X.XX ± 0.2	X.XXX ± 0.05 ANGLES ± 1°	mm	1/1	
THIRD ANGLE PROJECTION	SIZE	SCALE	DRAW / DATE	CHECK / DATE	APPROVE / DATE	TOLERANCES		UNIT	SHEET	

1

2

3

4