

1

2

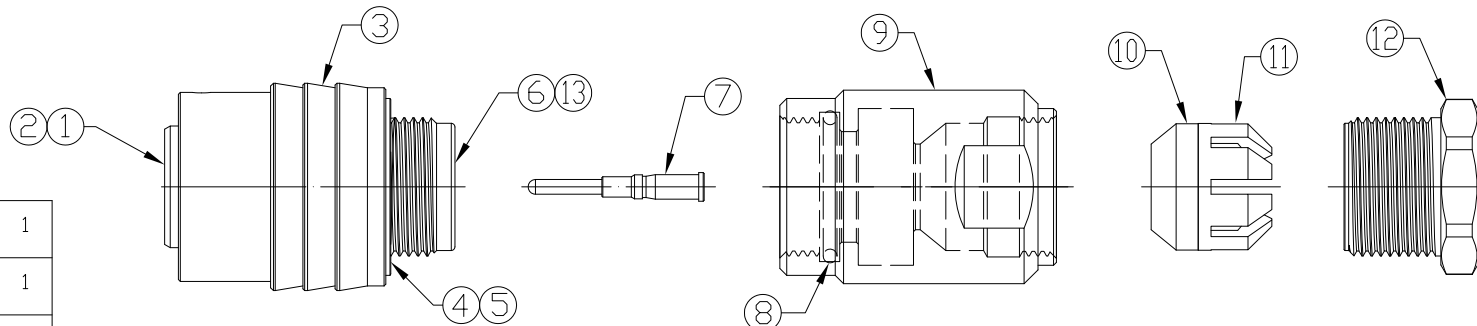
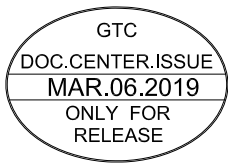
3

4

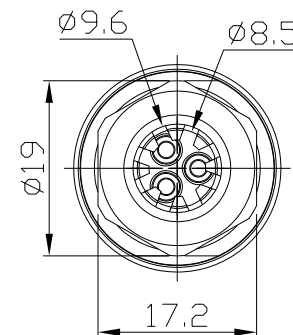
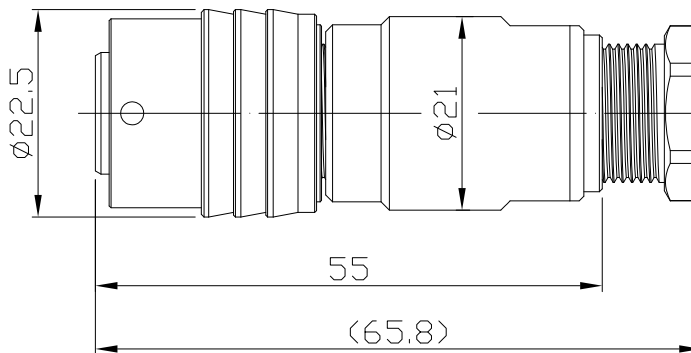
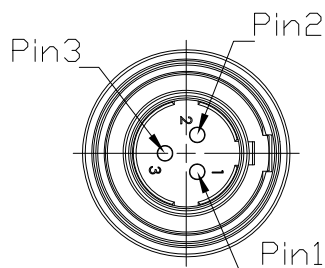
Notes: (Unless otherwise Specified)

- 1. Waterproof Rate : IP68
- 2. Cable Diameter: 6.0 to 8.5 mm  $\triangle_{0.2}$
- 3. Recommend Cover Torque: 9~10 Kgf-cm
- 4. Recommend Gland Nut Torque: 9~10 Kgf-cm
- 5. RoHS Compliant

REV	ECN#	DESCRIPTION OF REVISION	DRAW BY DATE	CHECK BY DATE	APPROVE BY DATE
02	ECN-190208	Cable Diameter: 7.0mm to 8.5mm => 6.0mm to 8.5mm	Whitney 03/05/19	Lucas 03/05/19	Ray 03/05/19



13	C-Ring	SUS304 Finish: -	1
12	Metal Gland Nut	Copper Alloy Finish: Ni Plated	1
11	Cage	Thermoplastic Color: White	1
10	Gland	Silicone Color: Red	1
9	Metal Cover	Copper Alloy Finish: Ni Plated	1
8	O-Ring	Silicone Color: Gray	1
7	Contacts	Copper Alloy Finish: Au Plated	3
6	Base	Thermoplastic Color: Black	1
5	Metal Holder	Copper Alloy Finish: Ni Plated	1
4	Spring	SUS304 Finish:-	1
3	Metal Push Nut	Copper Alloy Finish: Ni Plated	1
2	Housing	Thermoplastic Color: Black	1
1	Metal Body	Copper Alloy Finish: Ni Plated	1
Item	Part Name	Material / Finish	Q'ty



TITLE						DRAWING NUMBER			REV.	
Push Lock S3 10A 3P Field Installable Cable End Male Crimp						GT261311-14033			02	
	B	1:1	Hank 05/09/18	Lucas 05/09/18	Ray 05/09/18	X.X X.XX	± 0.5 ± 0.2	X.XXX ANGLES	± 0.05 ± 1°	mm 1/1
THIRD ANGLE PROJECTION	SIZE	SCALE	DRAW / DATE	CHECK / DATE	APPROVE / DATE	TOLERANCES		UNIT	SHEET	

GT Contact CO.,LTD

NOTICE OF PROPRIETARY PROPERTY:

THE INFORMATION CONTAINED HEREIN IS THE PROPRIETARY PROPERTY OF GT Contact CO.,LTD THE POSSESSOR AGREES TO THE FOLLOWING:

- (i) TO MAINTAIN THIS DOCUMENT IN CONFIDENCE
- (ii) NOT TO REPRODUCE OR COPY IT
- (iii) NOT TO REVEAL OR PUBLISH IT IN WHOLE OR PART
- (iv) ALL RIGHTS RESERVED

1

2

3

4