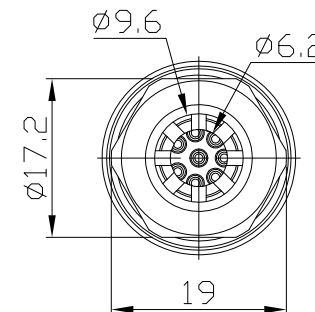
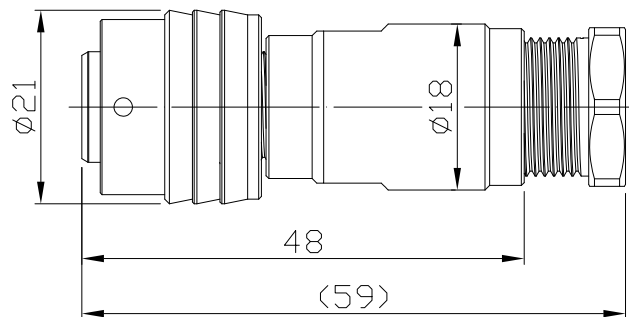
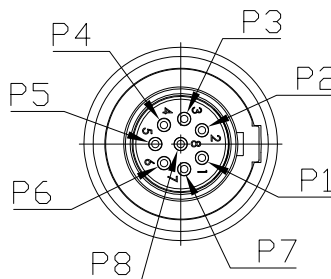
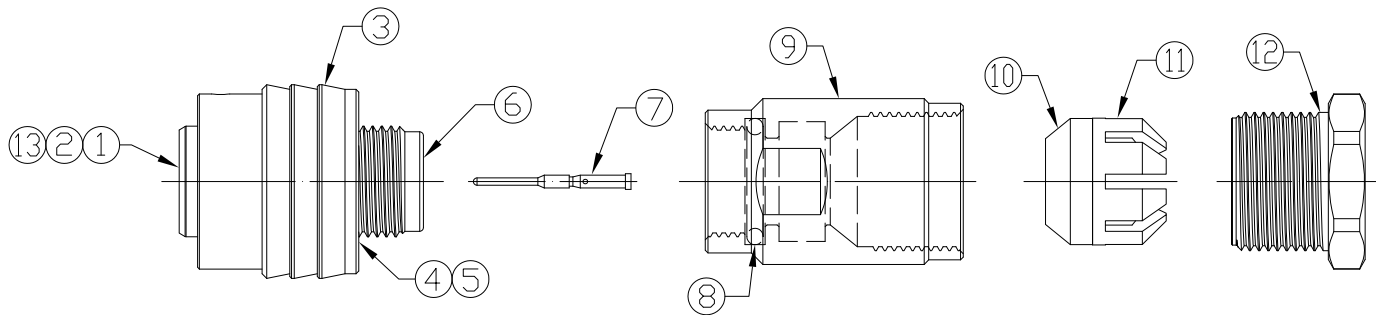
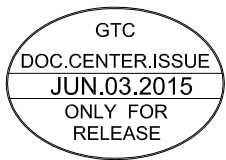


Notes: (Unless otherwise Specified)

- 1. Waterproof Rate : IP68
- 2. Cable Diameter: 5.5 to 6.0 mm
- 3. Recommend Cover Torque: 9~10 Kgf-cm
- 4. Recommend Gland Nut Torque: 9~10 Kgf-cm
- 5. RoHS Compliant

REV	ECN#	DESCRIPTION OF REVISION	DRAW BY DATE	CHECK BY DATE	APPROVE BY DATE
A3	ECN-140208	Change Metal Body & Redraw	Hank 03/03/14	Ray 03/03/14	Ray 03/03/14
A4	ECN-150508	Modify Item No. 1. 3. 5. 9. 12. Material SUS303 ---> Copper Alloy	Hank 05/13/15	Lucas 05/13/15	Ray 05/13/15



Item	Part Name	Material / Finish	Q'ty
13	C-Ring	SUS Finish:-	1
12	Metal Gland Nut	Copper Alloy Finish: Ni Plated	1
11	Cage	Thermoplastic Color: White	1
10	Gland	Silicon Color: Green	1
9	Metal Cover	Copper Alloy Finish: Ni Plated	1
8	O-Ring	Silicon Color: Gray	1
7	Contacts	Copper Alloy Finish: Au Plated	8
6	Base	Thermoplastic Color: Black	1
5	Metal Holder	Copper Alloy Finish: Ni Plated	1
4	Spring	SUS Finish:-	1
3	Metal Push Nut	Copper Alloy Finish: Ni Plated	1
2	Housing	Thermoplastic Color: Black	1
1	Metal Body	Copper Alloy Finish: Ni Plated	1

TITLE						DRAWING NUMBER			REV.	
Push Lock S2 2A 8P Field Installable Cable End Male Crimp						GT261211-12082			A4	
DD NOT SCALE DRAWINGS	B	1:1	Hank 01/14/13	Ray 01/14/13	Ray 01/14/13	X.X ± 0.5	X.XXX ± 0.05	mm	1/1	
THIRD ANGLE PROJECTION	SIZE	SCALE	DRAW / DATE	CHECK / DATE	APPROVE / DATE	TOLERANCES		UNIT	SHEET	

GT Contact CO.,LTD

NOTICE OF PROPRIETARY PROPERTY:

THE INFORMATION CONTAINED HEREIN IS THE PROPRIETARY PROPERTY OF GT Contact CO.,LTD THE POSSESSOR AGREES TO THE FOLLOWING:

- (a) TO MAINTAIN THIS DOCUMENT IN CONFIDENCE
- (b) NOT TO REPRODUCE OR COPY IT
- (c) NOT TO REVEAL OR PUBLISH IT IN WHOLE OR PART
- (d) ALL RIGHTS RESERVED