

1

2

3

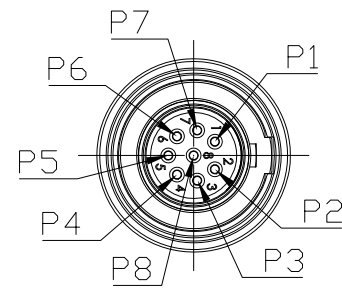
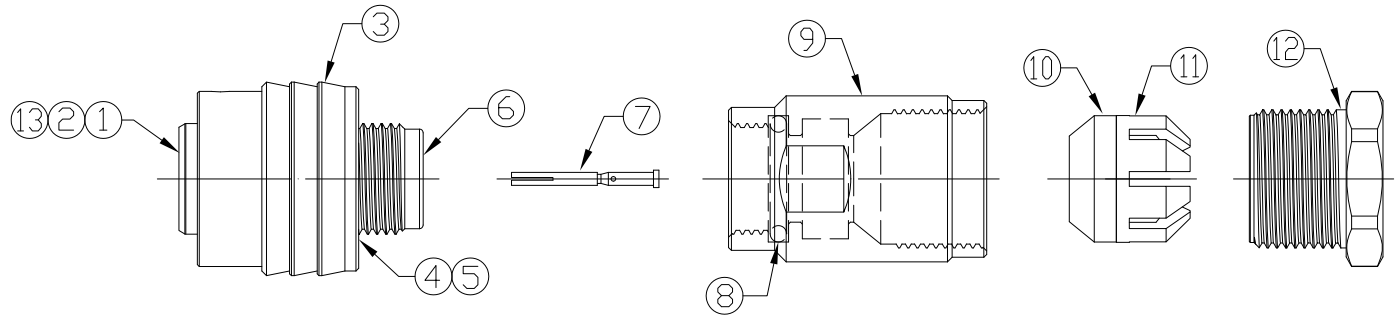
4

Notes: (Unless otherwise Specified)

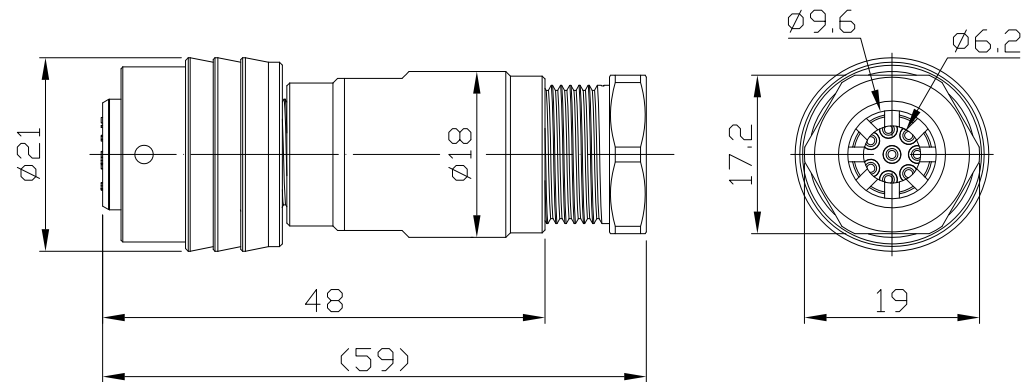
- 1. Waterproof Rate: IP68
- 2. Cable Diameter: 5.5 to 6.0 mm
- 3. Recommend Cover Torque: 9~10 Kgf-cm
- 4. Recommend Gland Nut Torque: 9~10 Kgf-cm
- 5. RoHS Compliant

REV	ECN#	DESCRIPTION OF REVISION	DRAW BY DATE	CHECK BY DATE	APPROVE BY DATE
A0		Mass Production	Hank 05/20/22	Lucas 05/20/22	Ray 05/20/22

GTC  
 DOC.CENTER.ISSUE  
 MAY.23.2022  
 ONLY FOR  
 RELEASE



Pin Assignment



Item	Part Name	Material / Finish	Q'ty
13	C-Ring	SUS Finish:-	1
12	Metal Gland Nut	Copper Alloy Finish: Ni Plated	1
11	Cage	Thermoplastic Color: White	1
10	Gland	Silicone Color: Green	1
9	Metal Cover	Copper Alloy Finish: Ni Plated	1
8	O-Ring	Silicone Color: Gray	1
7	Contact	Copper Alloy Finish: Au Plated	8
6	Base	Thermoplastic Color: Black	1
5	Metal Holder	Copper Alloy Finish: Ni Plated	1
4	Spring	SUS Finish:-	1
3	Metal Push Nut	Copper Alloy Finish: Ni Plated	1
2	Housing	Thermoplastic Color: Black	1
1	Metal Body	Copper Alloy Finish: Ni Plated	1

TITLE Push Lock S2 2A 8P Field Installable Cable End Female Crimp					DRAWING NUMBER GT261210-12082			REV. A0	
--	--	--	--	--	----------------------------------	--	--	------------	--

THIRD ANGLE PROJECTION	SIZE B	SCALE 1:1	DRAW / DATE Hank 05/20/22	CHECK / DATE Lucas 05/20/22	APPROVE / DATE Ray 05/20/22	TOLERANCES X.X ± 0.5 X.XX ± 0.2	UNIT mm	SHEET 1/1
------------------------	-----------	--------------	------------------------------	--------------------------------	--------------------------------	---------------------------------------	------------	--------------

GT Contact CO.,LTD

NOTICE OF PROPRIETARY PROPERTY:  
 THE INFORMATION CONTAINED HEREIN IS THE PROPRIETARY PROPERTY OF GT Contact CO.,LTD THE POSSESSOR AGREES TO THE FOLLOWING:  
 (a) TO MAINTAIN THIS DOCUMENT IN CONFIDENCE  
 (b) NOT TO REPRODUCE OR COPY IT  
 (c) NOT TO REVEAL OR PUBLISH IT IN WHOLE OR PART  
 (d) ALL RIGHTS RESERVED

1

2

3

4