

1

2

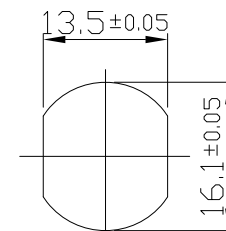
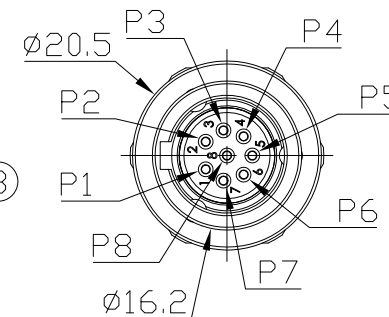
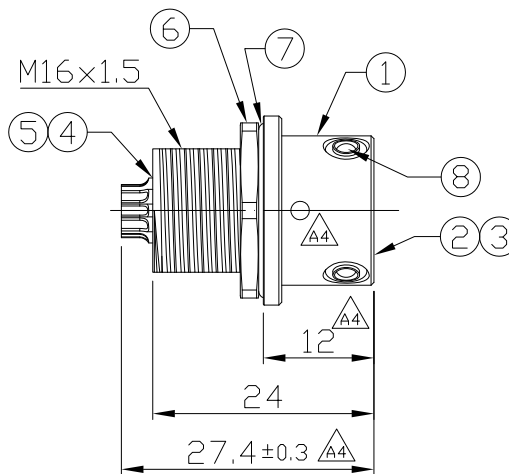
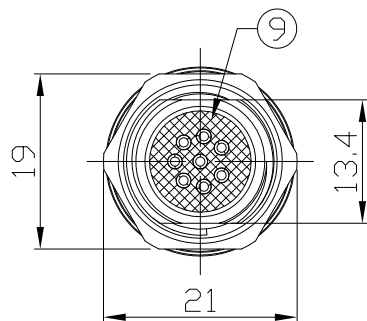
3

4

Notes: (Unless Otherwise Specified)

- 1. Waterproof Rate : IP68
- 2. Recommend Panel Thickness: 0.8 to 8.0 mm
- 3. Recommend Torque: 9~10 Kgf-cm
- 4. Durability: 100 Cycles Min.
- 5. DWV: 650 Vrms
- 6. Rated Voltage: 30V AC/DC
- 7. Insulation Resistance: 100 MΩ Min.
- 8. RoHS Compliant.

REV	ECN#	DESCRIPTION OF REVISION	DRAW BY DATE	CHECK BY DATE	APPROVE BY DATE
A3	ECN-140208	Change Metal Body & Redraw	Hank 03/03/14	Ray 03/03/14	Ray 03/03/14
A4	ECN-150508	Modify Metal Body Material SUS303 ----> Copper Alloy	Hank 05/13/15	Lucas 05/13/15	Ray 05/13/15



GTC  
 DOC.CENTER.ISSUE  
 JUN.03.2015  
 ONLY FOR  
 RELEASE

Item	Part Name	Material / Finish	Q'ty
9	Glue	Epoxy Color: Black	
8	Metal Ball	SUS Finish:-	3
7	O-Ring	Silicone Color: Gray	1
6	Metal Hex Nut	Copper Alloy Finish: Ni Plated	1
5	Contacts	Copper Alloy Finish: Au Plated	8
4	Base	Thermoplastic Color: Black	1
3	O-Ring	Silicon Color: Gray	1
2	Housing	Thermoplastic Color: Black	1
1	Metal Body	Copper Alloy Finish: Ni Plated	1

A4

TITLE						DRAWING NUMBER			REV.
Push Lock S2 2A 8P Panel Rear Mount Female Solder						GT261200-02080			A4
THIRD ANGLE PROJECTION	SIZE	SCALE	DRAW / DATE	CHECK / DATE	APPROVE / DATE	TOLERANCES	UNIT	SHEET	
	B	1:1	Hank 01/14/13	Ray 01/14/13	Ray 01/14/13	X.X ± 0.5 X.XX ± 0.2	mm	1/1	
						X.XXX ± 0.05 ANGLES ± 1°			

GT Contact CO.,LTD

NOTICE OF PROPRIETARY PROPERTY:  
 THE INFORMATION CONTAINED HEREIN IS THE PROPRIETARY PROPERTY OF GT Contact CO.,LTD THE POSSESSOR AGREES TO THE FOLLOWING:  
 (a) TO MAINTAIN THIS DOCUMENT IN CONFIDENCE  
 (b) NOT TO REPRODUCE OR COPY IT  
 (c) NOT TO REVEAL OR PUBLISH IT IN WHOLE OR PART  
 (d) ALL RIGHTS RESERVED

1

2

3

4