

1

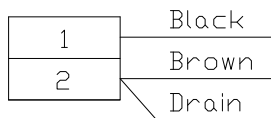
2

3

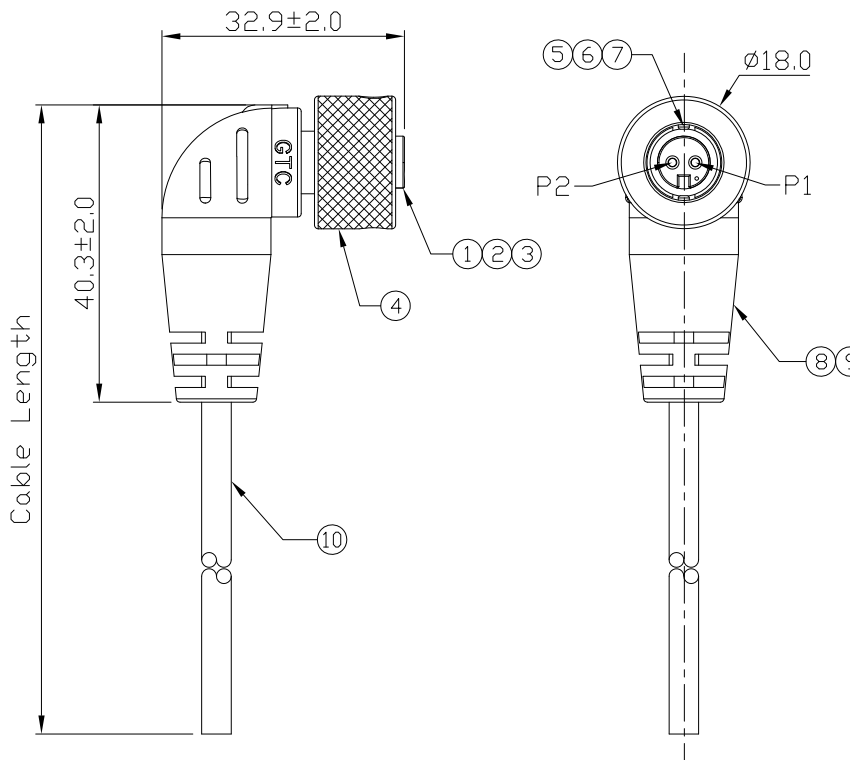
4

Notes: (Unless Otherwise Specified)
 1. Waterproof Rate: IP68.
 2. RoHS Compliant.

REV	ECN#	DESCRIPTION OF REVISION	DRAW BY DATE	CHECK BY DATE	APPROVE BY DATE
A1	ECN-200408	Waterproof Rate: IP67 => Waterproof Rate: IP68	Whitney 04/13/20	Lucas 04/13/20	Ray 04/13/20



Wiring Diagram



GTC
 DOC.CENTER.ISSUE
 APR.14.2020
 ONLY FOR
 RELEASE

Part No.	Cable Length	Tol.
GT251229-22021-10	10000 mm	±500
GT251229-22021-09	9000 mm	±450
GT251229-22021-08	8000 mm	±400
GT251229-22021-07	7000 mm	±350
GT251229-22021-06	6000 mm	±300
GT251229-22021-05	5000 mm	±250
GT251229-22021-04	4000 mm	±200
GT251229-22021-03	3000 mm	±150
GT251229-22021-02	2000 mm	±100
GT251229-22021-01	1000 mm	±50
GT251229-22021-Z9	900 mm	±40
GT251229-22021-Z8	800 mm	±40
GT251229-22021-Z7	700 mm	±40
GT251229-22021-Z6	600 mm	±40
GT251229-22021-Z5	500 mm	±40
GT251229-22021-Z4	400 mm	±40
GT251229-22021-Z3	300 mm	±20
GT251229-22021-Z2	200 mm	±20

Item	Part Name	Material / Finish	Qty
10	Cable	UL2464 24AWG*2C+Al/My+Drain DD=4.0mm, Color:Black	1
9	Over Mold	PVC Color: Black	1
8	Inner Mold	Thermoplastic Color: White Or Black	1
7	Spring	Stainless Finish: -	2
6	Metal Rivet	Copper Alloy Finish: Ni Plated	2
5	Matel Plunger	Stainless Finish: -	2
4	Metal Lock Nut	Copper Alloy Finish: Ni Plated	1
3	O-Ring	Silicone Color: Red	1
2	Contacts	Copper Alloy Finish: Au Plated	2
1	Housing	Thermoplastic Color: Black	1

TITLE: C1 Metal 5A 2P Cable End Female Lock 90° Key Down
 DRAWING NUMBER: GT251229-22021-XX
 REV.: A1

THIRD ANGLE PROJECTION	SIZE	SCALE	DRAW / DATE	CHECK / DATE	APPROVE / DATE	TOLERANCES	UNIT	SHEET
THIRD ANGLE PROJECTION	B	1:1	Lucas 01/24/13	Ray 01/24/13	Ray 01/24/13	X.X ± 0.5 X.XX ± 0.2	mm	1/1

GT Contact CO.,LTD
 NOTICE OF PROPRIETARY PROPERTY:
 THE INFORMATION CONTAINED HEREIN IS THE PROPRIETARY PROPERTY OF GT Contact CO.,LTD THE POSSESSOR AGREES TO THE FOLLOWING:
 (a) TO MAINTAIN THIS DOCUMENT IN CONFIDENCE
 (b) NOT TO REPRODUCE OR COPY IT
 (c) NOT TO REVEAL OR PUBLISH IT IN WHOLE OR PART
 (d) ALL RIGHTS RESERVED

1

2

3

4