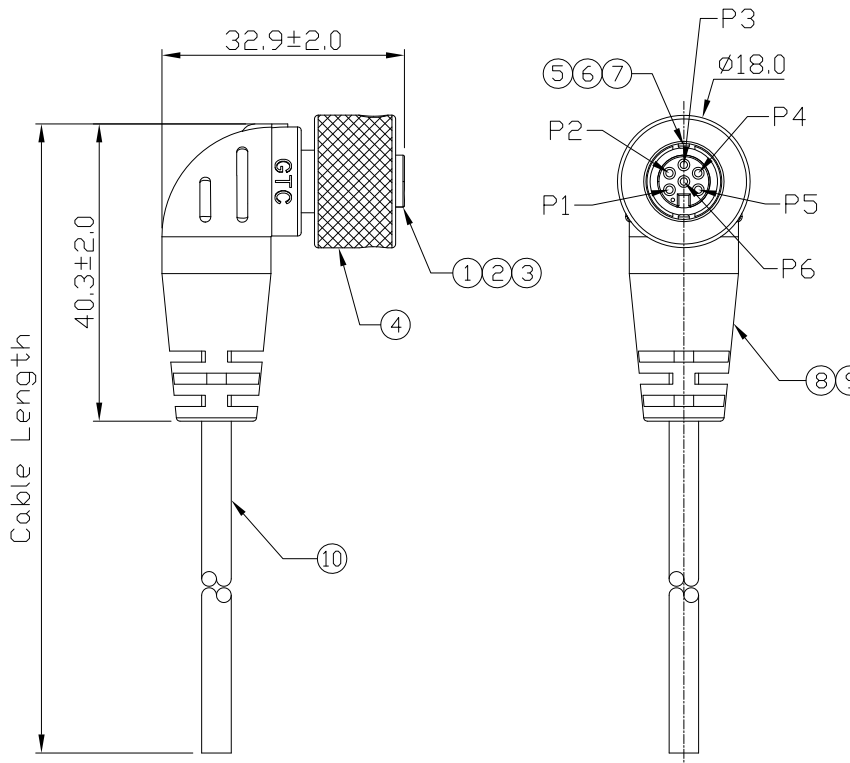


Notes: (Unless Otherwise Specified)  
 1. Waterproof Rate: IP68.  
 2. RoHS Compliant.

REV	ECN#	DESCRIPTION OF REVISION	DRAW BY DATE	CHECK BY DATE	APPROVE BY DATE
A1	ECN-200408	Waterproof Rate: IP67 => Waterproof Rate: IP68	Whitney 04/13/20	Lucas 04/13/20	Ray 04/13/20

1	Black
2	Brown
3	Red
4	Orange
5	Yellow
6	Green
	Drain

Wiring Diagram



Part No.	Cable Length	Tol.
GT251229-21061-10	10000 mm	±500
GT251229-21061-09	9000 mm	±450
GT251229-21061-08	8000 mm	±400
GT251229-21061-07	7000 mm	±350
GT251229-21061-06	6000 mm	±300
GT251229-21061-05	5000 mm	±250
GT251229-21061-04	4000 mm	±200
GT251229-21061-03	3000 mm	±150
GT251229-21061-02	2000 mm	±100
GT251229-21061-01	1000 mm	±50
GT251229-21061-Z9	900 mm	±40
GT251229-21061-Z8	800 mm	±40
GT251229-21061-Z7	700 mm	±40
GT251229-21061-Z6	600 mm	±40
GT251229-21061-Z5	500 mm	±40
GT251229-21061-Z4	400 mm	±40
GT251229-21061-Z3	300 mm	±20
GT251229-21061-Z2	200 mm	±20

Item	Part Name	Material / Finish	Qty
10	Cable	UL2464 26AWG*6C+Al/My+Drain OD=5.0mm, Color:Black	1
9	Over Mold	PVC Color: Black	1
8	Inner Mold	Thermoplastic Color: White Or Black	1
7	Spring	Stainless Finish: -	2
6	Metal Rivet	Copper Alloy Finish: Ni Plated	2
5	Matel Plunger	Stainless Finish: -	2
4	Metal Lock Nut	Copper Alloy Finish: Ni Plated	1
3	O-Ring	Silicone Color: Red	1
2	Contacts	Copper Alloy Finish: Au Plated	6
1	Housing	Thermoplastic Color: Black	1

TITLE						DRAWING NUMBER			REV.
C1 Metal 2A 6P Cable End Female Lock 90° Key Down						GT251229-21061-XX			A1
	B	1:1	Lucas 02/25/13	Ray 02/25/13	Ray 02/25/13	X.X ± 0.5 X.XX ± 0.2	X.XXX ± 0.05 ANGLES ± 1°	mm	1/1
THIRD ANGLE PROJECTION	SIZE	SCALE	DRAW / DATE	CHECK / DATE	APPROVE / DATE	TOLERANCES		UNIT	SHEET

GT Contact CO.,LTD

NOTICE OF PROPRIETARY PROPERTY:  
 THE INFORMATION CONTAINED HEREIN IS THE PROPRIETARY PROPERTY OF GT Contact CO.,LTD THE POSSESSOR AGREES TO THE FOLLOWING:  
 (1) TO MAINTAIN THIS DOCUMENT IN CONFIDENCE  
 (2) NOT TO REPRODUCE OR COPY IT  
 (3) NOT TO REVEAL OR PUBLISH IT IN WHOLE OR PART  
 (4) ALL RIGHTS RESERVED