

1

2

3

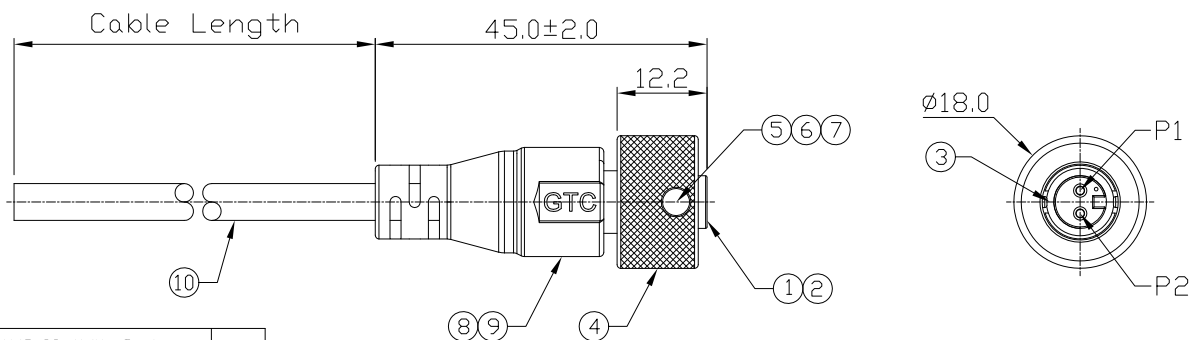
4

Notes: (Unless Otherwise Specified)

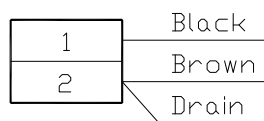
- 1. Waterproof Rate: IP68.
- 2. RoHS Compliant.

REV	ECN#	DESCRIPTION OF REVISION	DRAW BY DATE	CHECK BY DATE	APPROVE BY DATE
A1	ECN-200408	Waterproof Rate: IP67 => Waterproof Rate: IP68	Whitney 04/13/20	Lucas 04/13/20	Ray 04/13/20

GTC  
 DOC.CENTER.ISSUE  
 APR.14.2020  
 ONLY FOR  
 RELEASE



Item	Part Name	Material / Finish	Qty
10	Cable	UL2464 24AWG*2C+Al/My+Drain OD=4.0mm, Color:Black	1
9	Over Mold	PVC Color: Black	1
8	Inner Mold	Thermoplastic Color: White Or Black	1
7	Spring	Stainless Finish: -	2
6	Metal Rivet	Copper Alloy Finish: Ni Plated	2
5	Matel Plunger	Stainless Finish: -	2
4	Metal Lock Nut	Copper Alloy Finish: Ni Plated	1
3	D-Ring	Silicone Color: Red	1
2	Contacts	Copper Alloy Finish: Au Plated	2
1	Housing	Thermoplastic Color: Black	1



Wiring Diagram

Part No.	Cable Length	Tol.
GT251224-22021-10	10000 mm	±500
GT251224-22021-09	9000 mm	±450
GT251224-22021-08	8000 mm	±400
GT251224-22021-07	7000 mm	±350
GT251224-22021-06	6000 mm	±300
GT251224-22021-05	5000 mm	±250
GT251224-22021-04	4000 mm	±200
GT251224-22021-03	3000 mm	±150
GT251224-22021-02	2000 mm	±100
GT251224-22021-01	1000 mm	±50
GT251224-22021-Z9	900 mm	±40
GT251224-22021-Z8	800 mm	±40
GT251224-22021-Z7	700 mm	±40
GT251224-22021-Z6	600 mm	±40
GT251224-22021-Z5	500 mm	±40
GT251224-22021-Z4	400 mm	±40
GT251224-22021-Z3	300 mm	±20
GT251224-22021-Z2	200 mm	±20

GT Contact CO.,LTD

NOTICE OF PROPRIETARY PROPERTY:  
 THE INFORMATION CONTAINED HEREIN IS THE PROPRIETARY PROPERTY OF GT Contact CO.,LTD THE POSSESSOR AGREES TO THE FOLLOWING:  
 (a) TO MAINTAIN THIS DOCUMENT IN CONFIDENCE  
 (b) NOT TO REPRODUCE OR COPY IT  
 (c) NOT TO REVEAL OR PUBLISH IT IN WHOLE OR PART  
 (d) ALL RIGHTS RESERVED

TITLE						DRAWING NUMBER			REV.	
C1 Metal 5A 2P Cable End Female Lock						GT251224-22021-XX			A1	
	B	1:1	Joyce 10/05/12	Lucas 10/05/12	Ray 10/05/12	X.X ± 0.5 X.XX ± 0.2	X.XXX ± 0.05 ANGLES ± 1°	mm	1/1	
THIRD ANGLE PROJECTION	SIZE	SCALE	DRAW / DATE	CHECK / DATE	APPROVE / DATE	TOLERANCES		UNIT	SHEET	

1

2

3

4