

1

2

3

4

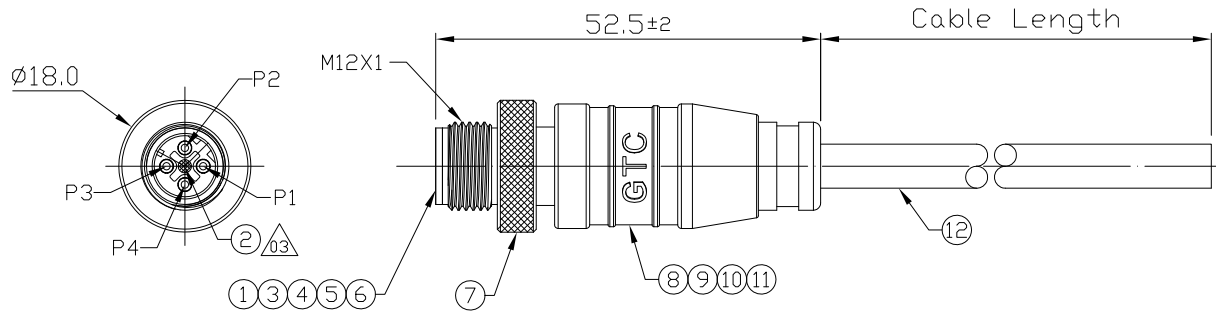
Notes: (Unless Otherwise Specified)

- 1. Waterproof Rate: IP68.
- 2. Durability: 100 Cycles Min.
- 3. DWV: 1400 Vrms.
- 4. Rated Voltage: 250V AC/DC.
- 5. Insulation Resistance: 100 MΩ MIN.
- 6. RoHS Compliant.

REV	ECN#	DESCRIPTION OF REVISION	DRAW BY DATE	CHECK BY DATE	APPROVE BY DATE
03	ECN-210415	Modify Material Item No.2 Base --> Gland Pin	Hank 04/26/21	Lucas 04/26/21	Ray 04/26/21

1	Black
2	Brown
3	Red
4	Orange
Shell	Drain

Wiring Diagram



GTC
DOC.CENTER.ISSUE
JUN.03.2021
ONLY FOR
RELEASE

GT2384B4-02041-10	10000 mm	±500
GT2384B4-02041-09	9000 mm	±450
GT2384B4-02041-08	8000 mm	±400
GT2384B4-02041-07	7000 mm	±350
GT2384B4-02041-06	6000 mm	±300
GT2384B4-02041-05	5000 mm	±250
GT2384B4-02041-04	4000 mm	±200
GT2384B4-02041-03	3000 mm	±150
GT2384B4-02041-02	2000 mm	±100
GT2384B4-02041-01	1000 mm	±50
GT2384B4-02041-Z9	900 mm	±40
GT2384B4-02041-Z8	800 mm	±40
GT2384B4-02041-Z7	700 mm	±40
GT2384B4-02041-Z6	600 mm	±40
GT2384B4-02041-Z5	500 mm	±40
GT2384B4-02041-Z4	400 mm	±20
GT2384B4-02041-Z3	300 mm	±20
GT2384B4-02041-Z2	200 mm	±10
Part No.	Cable Length	Tol.

6	Spring	SUS 304	1	12	Cable	UL2464 22AWG*4C+Al/My+B+D Color: Black, OD=6.0mm	1
5	Metal Shielded Gland	Copper Alloy Finish: Ni Plated	1	11	Over Mold	PVC Color: Black	1
4	Metal Shielded Bush	Copper Alloy Finish: Sn Plated	1	10	Inner Mold	Thermoplastic Color: White Or Black	1
3	Contacts	Copper Alloy Finish: Au Plated	4	9	Shrink Tube	L=10mm Color: Black	4
2	Gland Pin	Thermoplastic Color: Black	1	8	Glue	Epoxy Color: Black	
1	Housing	Thermoplastic Color: Black	1	7	Screw Nut	Copper Alloy Finish: Ni Plated	1
Item	Part Name	Material / Finish	Q'ty	Item	Part Name	Material / Finish	Q'ty

GT Contact CO.,LTD

NOTICE OF PROPRIETARY PROPERTY:
THE INFORMATION CONTAINED HEREIN IS THE PROPRIETARY PROPERTY OF GT Contact CO.,LTD THE POSSESSOR AGREES TO THE FOLLOWING:
(i) TO MAINTAIN THIS DOCUMENT IN CONFIDENCE
(ii) NOT TO REPRODUCE OR COPY IT
(iii) NOT TO REVEAL OR PUBLISH IT IN WHOLE OR PART
(iv) ALL RIGHTS RESERVED

TITLE M12 D-Coding 4A 4P Shielded Cable End Without SR Male						DRAWING NUMBER GT2384B4-02041-XX			REV. 03	
THIRD ANGLE PROJECTION	SIZE B	SCALE 1:1	DRAW / DATE Joyce 04/24/14	CHECK / DATE Lucas 04/24/14	APPROVE / DATE Ray 04/24/14	X.X ± 0.5	X.XXX ± 0.2	X.XXX ± 0.05	mm	1/1
						TOLERANCES			UNIT	SHEET

1

2

3

4