

1

2

3

4

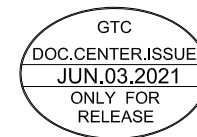
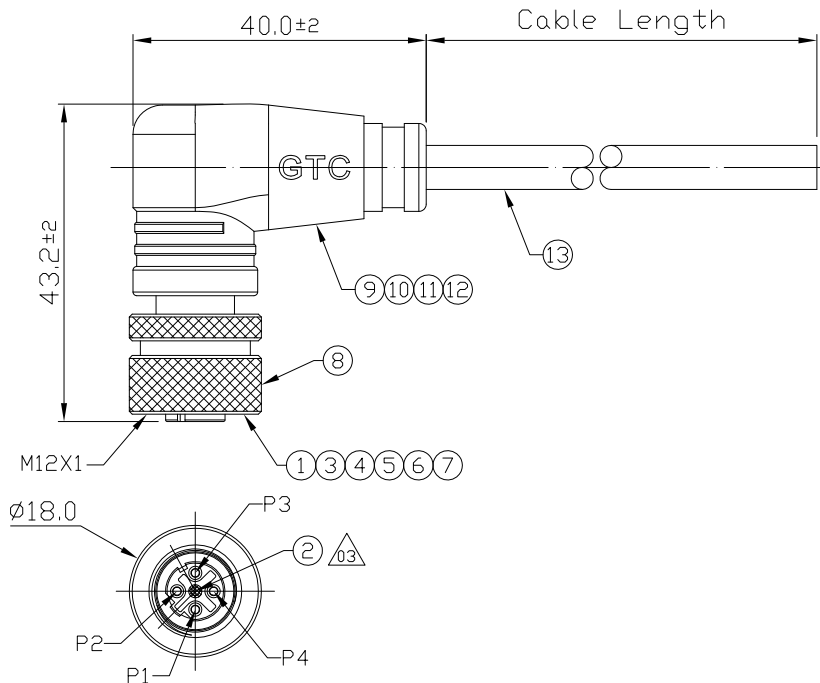
Notes: (Unless Otherwise Specified)

- 1. WaterProof Rate: IP68.
- 2. Durability: 100 Cycles Min.
- 3. DWV: 1400 Vrms.
- 4. Rated Voltage: 250V AC/DC.
- 5. Insulation Resistance: 100 MΩ MIN.
- 6. RoHS Compliant.

REV	ECN#	DESCRIPTION OF REVISION	DRAW BY DATE	CHECK BY DATE	APPROVE BY DATE
03	ECN-210415	Modify Material Item No.2 Base --> Gland Pin	Hank 04/26/21	Lucas 04/26/21	Ray 04/26/21

1	Black
2	Brown
3	Red
4	Orange
Shell	Drain

Wiring Diagram



GT2384A5-02041-10	10000 mm	±500
GT2384A5-02041-09	9000 mm	±450
GT2384A5-02041-08	8000 mm	±400
GT2384A5-02041-07	7000 mm	±350
GT2384A5-02041-06	6000 mm	±300
GT2384A5-02041-05	5000 mm	±250
GT2384A5-02041-04	4000 mm	±200
GT2384A5-02041-03	3000 mm	±150
GT2384A5-02041-02	2000 mm	±100
GT2384A5-02041-01	1000 mm	±50
GT2384A5-02041-Z8	900 mm	±40
GT2384A5-02041-Z9	800 mm	±40
GT2384A5-02041-Z7	700 mm	±40
GT2384A5-02041-Z6	600 mm	±40
GT2384A5-02041-Z5	500 mm	±40
GT2384A5-02041-Z4	400 mm	±20
GT2384A5-02041-Z3	300 mm	±20
GT2384A5-02041-Z2	200 mm	±10
Part No.	Cable Length	Tol.

8	Screw Nut	Copper Alloy Finish: Ni Plated	1				
7	Spring	SUS 304	1				
6	Metal Shielded Gland	Copper Alloy Finish: Ni Plated	1				
5	Metal Shielded Bush	Copper Alloy Finish: Sn Plated	1	13	Cable	UL2464 22AWG*4C+Al/My+B+D Color: Black, OD=6.0mm	1
4	O-Ring	Silicone Color: Red	1	12	Over Mold	PVC Color: Black	1
3	Contacts	Copper Alloy Finish: Au Plated	4	11	Inner Mold	Thermoplastic Color: White Or Black	1
2	Gland Pin	Thermoplastic Color: Black	1	10	Shrink Tube	L=10mm Color: Black	4
1	Housing	Thermoplastic Color: Black	1	9	Glue	Epoxy Color: Black	
Item	Part Name	Material / Finish	Qty	Item	Part Name	Material / Finish	Qty

GT Contact CO.,LTD

NOTICE OF PROPRIETARY PROPERTY:
THE INFORMATION CONTAINED HEREIN IS THE PROPRIETARY PROPERTY OF GT Contact CO.,LTD THE POSSESSOR AGREES TO THE FOLLOWING:
(i) TO MAINTAIN THIS DOCUMENT IN CONFIDENCE
(ii) NOT TO REPRODUCE OR COPY IT
(iii) NOT TO REVEAL OR PUBLISH IT IN WHOLE OR PART
(iv) ALL RIGHTS RESERVED

TITLE M12 D-Coding 4A 4P Shielded Cable End 90° Without SR Female					DRAWING NUMBER GT2384A5-02041-XX			REV. 03	
	B	1:1	Joyce 04/24/14	Lucas 04/24/14	Ray 04/24/14	X.X ± 0.5	X.XXX ± 0.05	mm	1/1
THIRD ANGLE PROJECTION	SIZE	SCALE	DRAW / DATE	CHECK / DATE	APPROVE / DATE	TOLERANCES		UNIT	SHEET

1

2

3

4