

1

2

3

4

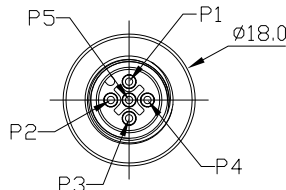
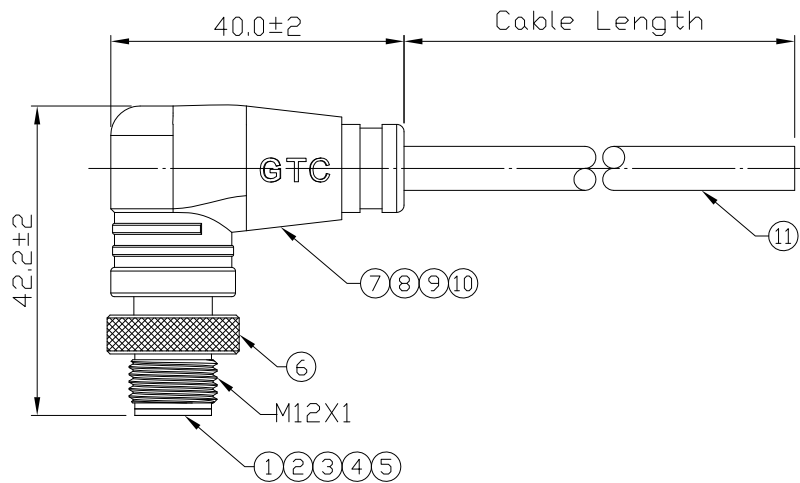
Notes: (Unless Otherwise Specified)

- 1. Waterproof Rate: IP68.
- 2. RoHS Compliant.

REV	ECN#	DESCRIPTION OF REVISION	DRAW BY DATE	CHECK BY DATE	APPROVE BY DATE
01			Aileen 09/26/20	Lucas 09/26/20	Ray 09/26/20

1	Black
2	Brown
3	Red
4	Orange
5	Yellow
Shell	Drain

Wiring Diagram



GT2381B5-02051-10	10000 mm	+500
GT2381B5-02051-09	9000 mm	+450
GT2381B5-02051-08	8000 mm	+400
GT2381B5-02051-07	7000 mm	+150
GT2381B5-02051-06	6000 mm	+150
GT2381B5-02051-05	5000 mm	+150
GT2381B5-02051-04	4000 mm	+150
GT2381B5-02051-03	3000 mm	+100
GT2381B5-02051-02	2000 mm	+100
GT2381B5-02051-01	1000 mm	+50
GT2381B5-02051-Z9	900 mm	+50
GT2381B5-02051-Z8	800 mm	+50
GT2381B5-02051-Z7	700 mm	+50
GT2381B5-02051-Z6	600 mm	+50
GT2381B5-02051-Z5	500 mm	+50
GT2381B5-02051-Z4	400 mm	+50
GT2381B5-02051-Z3	300 mm	+25
GT2381B5-02051-Z2	200 mm	+25
Part No.	Cable Length	Tol.

6	Screw Nut	Copper Alloy Finish: Ni Plated	1				
5	Spring	SUS 304	1	11	Cable	UL2464 22AWG*5C+Al/My+B+D OD=6.0mm, Color: Black	1
4	Metal Shielded Gland	Copper Alloy Finish: Ni Plated	1	10	Over Mold	PVC Color: Black	1
3	Metal Shielded Bush	Copper Alloy Finish: Sn Plated	1	9	Inner Mold	Thermoplastic Color: White Or Black	1
2	Contacts	Copper Alloy Finish: Au Plated	5	8	Shrink Tube	L=17mm Color: Black	1
1	Housing	Thermoplastic Color: Black	1	7	Glue	Epoxy Color: Black	
Item	Part Name	Material / Finish	Q'ty	Item	Part Name	Material / Finish	Q'ty

GT Contact CO.,LTD

NOTICE OF PROPRIETARY PROPERTY:
THE INFORMATION CONTAINED HEREIN IS THE PROPRIETARY PROPERTY OF GT Contact CO.,LTD THE POSSESSOR AGREES TO THE FOLLOWING:
(i) TO MAINTAIN THIS DOCUMENT IN CONFIDENCE
(ii) NOT TO REPRODUCE OR COPY IT
(iii) NOT TO REVEAL OR PUBLISH IT IN WHOLE OR PART
(iv) ALL RIGHTS RESERVED

TITLE M12 A-Coding 4A 5P Shielded Cable End 90° Male Without SR					DRAWING NUMBER GT2381B5-02051-XX			REV. 01	
	B	1:1	Aileen 09/26/20	Lucas 09/26/20	Ray 09/26/20	X.X ± 0.5 X.XX ± 0.2	X.XXX ± 0.05 ANGLES ± 1°	mm	1/1
THIRD ANGLE PROJECTION	SIZE	SCALE	DRAW / DATE	CHECK / DATE	APPROVE / DATE	TOLERANCES		UNIT	SHEET

1

2

3

4