

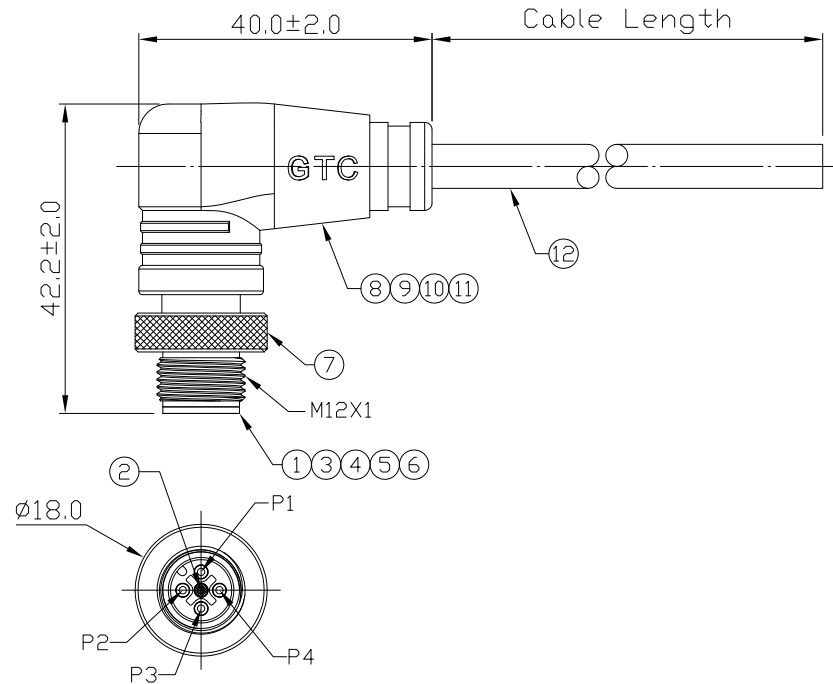
Notes: (Unless Otherwise Specified)

1. Waterproof Rate: IP68.
2. RoHS Compliant.

| REV | ECN# | DESCRIPTION OF REVISION | DRAW BY DATE | CHECK BY DATE | APPROVE BY DATE |
|-----|------|-------------------------|------------------|----------------|-----------------|
| 01 | | | Whitney 02/01/19 | Lucas 02/01/19 | Ray 02/01/19 |

| | |
|-------|--------|
| 1 | Black |
| 2 | Brown |
| 3 | Red |
| 4 | Orange |
| Shell | Drain |

Wiring Diagram



GTC
DOC.CENTER.ISSUE
FEB.01.2019
ONLY FOR
RELEASE

| | | |
|-------------------|--------------|------|
| GT2381B5-02041-10 | 10000 mm | +500 |
| GT2381B5-02041-09 | 9000 mm | +450 |
| GT2381B5-02041-08 | 8000 mm | +400 |
| GT2381B5-02041-07 | 7000 mm | +150 |
| GT2381B5-02041-06 | 6000 mm | +150 |
| GT2381B5-02041-05 | 5000 mm | +150 |
| GT2381B5-02041-04 | 4000 mm | +150 |
| GT2381B5-02041-03 | 3000 mm | +100 |
| GT2381B5-02041-02 | 2000 mm | +100 |
| GT2381B5-02041-01 | 1000 mm | +50 |
| GT2381B5-02041-Z9 | 900 mm | +50 |
| GT2381B5-02041-Z8 | 800 mm | +50 |
| GT2381B5-02041-Z7 | 700 mm | +50 |
| GT2381B5-02041-Z6 | 600 mm | +50 |
| GT2381B5-02041-Z5 | 500 mm | +50 |
| GT2381B5-02041-Z4 | 400 mm | +50 |
| GT2381B5-02041-Z3 | 300 mm | +25 |
| GT2381B5-02041-Z2 | 200 mm | +25 |
| Part No. | Cable Length | Tol. |

| | | | | | | | |
|------|----------------------|-----------------------------------|------|------|-------------|---|------|
| 6 | Spring | SUS 304 | 1 | 12 | Cable | UL2464 22AWG*4C+Al/My+B+D Color: Black, OD=6.0mm | 1 |
| 5 | Metal Shielded Gland | Copper Alloy Finish: Ni Plated | 1 | 11 | Over Mold | PVC Color: Black | 1 |
| 4 | Metal Shielded Bush | Copper Alloy Finish: Sn Plated | 1 | 10 | Inner Mold | Thermoplastic Color: White Or Black | 1 |
| 3 | Contacts | Copper Alloy Finish: Au Plated | 4 | 9 | Shrink Tube | L=10mm Color: Black | 4 |
| 2 | Gland Pin | Thermoplastic Color: Black | 1 | 8 | Glue | Epoxy Color: Black | |
| 1 | Housing | Thermoplastic Color: Black | 1 | 7 | Screw Nut | Copper Alloy Finish: Ni Plated | 1 |
| Item | Part Name | Material / Finish | Q'ty | Item | Part Name | Material / Finish | Q'ty |

GT Contact CO.,LTD

NOTICE OF PROPRIETARY PROPERTY:
THE INFORMATION CONTAINED HEREIN IS THE PROPRIETARY PROPERTY OF GT Contact CO.,LTD THE POSSESSOR AGREES TO THE FOLLOWING:
(i) TO MAINTAIN THIS DOCUMENT IN CONFIDENCE
(ii) NOT TO REPRODUCE OR COPY IT
(iii) NOT TO REVEAL OR PUBLISH IT IN WHOLE OR PART
(iv) ALL RIGHTS RESERVED

| | | | | | | | | | |
|--|--|-----------|--------------|---------------------------------|--------------------------------|-------------------------------------|---------------------------------------|--------------------------------|-----------------|
| TITLE M12 A-Coding 4A Male 4P Shielded Cable End 90° Without SR | | | | | | DRAWING NUMBER GT2381B5-02041-XX | | REV. 01 | |
| THIRD ANGLE PROJECTION | | SIZE B | SCALE 1:1 | DRAW / DATE Whitney 02/01/19 | CHECK / DATE Lucas 02/01/19 | APPROVE / DATE Ray 02/01/19 | TOLERANCES X.X ± 0.5 X.XX ± 0.2 | ANGLES X.XXX ± 0.05 ± 1° | SHEET mm 1/1 |