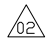
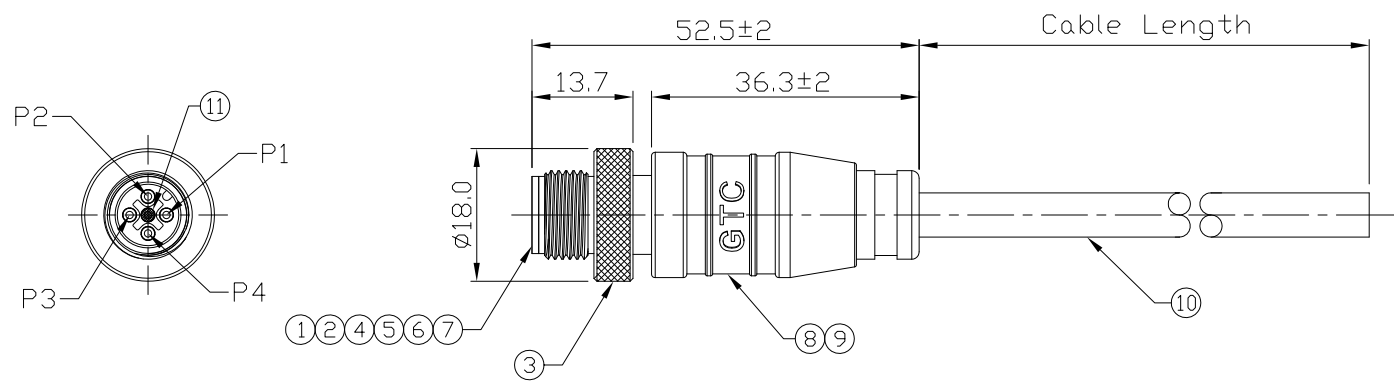


Notes: (Unless Otherwise Specified)
 1. Waterproof Rate: IP68.
 2. RoHS Compliant.

REV	ECN#	DESCRIPTION OF REVISION	DRAW BY DATE	CHECK BY DATE	APPROVE BY DATE
02	ECN-180815	 Modify Item No.6 Spring Material: SUS302 --> SUS304	Hank 08/13/18	Lucas 08/13/18	Ray 08/13/18



GT2381B4-02041-10	10000 mm	±500
GT2381B4-02041-09	9000 mm	±450
GT2381B4-02041-08	8000 mm	±400
GT2381B4-02041-07	7000 mm	±150
GT2381B4-02041-06	6000 mm	±150
GT2381B4-02041-05	5000 mm	±150
GT2381B4-02041-04	4000 mm	±150
GT2381B4-02041-03	3000 mm	±150
GT2381B4-02041-02	2000 mm	±100
GT2381B4-02041-01	1000 mm	±50
GT2381B4-02041-Z9	900 mm	±40
GT2381B4-02041-Z8	800 mm	±40
GT2381B4-02041-Z7	700 mm	±40
GT2381B4-02041-Z6	600 mm	±40
GT2381B4-02041-Z5	500 mm	±40
GT2381B4-02041-Z4	400 mm	±20
GT2381B4-02041-Z3	300 mm	±20
GT2381B4-02041-Z2	200 mm	±10
Part No.	Cable Length	Tol.

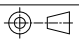
11	Gland Pin	Thermoplastic Color: Black	1
10	Cable	UL2464 22AWG*4C+Al/My+D+B DD=6.0mm, Color: Black	1
9	Over Mold	PVC Color: Black	1
8	Inner Mold	Thermoplastic Color: White Or Black	1
7	Glue	Epoxy Color: Black	
6	Spring	SUS 304	1
5	Metal Shielded Gland	Copper Alloy Finish: Ni Plated	1
4	Metal Shielded Bush	Copper Alloy Finish: Sn Plated	1
3	Screw Nut	Copper Alloy Finish: Ni Plated	1
2	Contacts	Copper Alloy Finish: Au Plated	4
1	Housing	Thermoplastic Color: Black	1
Item	Part Name	Material / Finish	Qty



GTC
 DOC.CENTER.ISSUE
 AUG.21.2018
 ONLY FOR
 RELEASE

1	Black
2	Brown
3	Red
4	Orange
Shell	Drain

Wiring Diagram

TITLE						DRAWING NUMBER			REV.
M12 A-Coding 4A 4P Shielded Cable End Without SR Male With Cable						GT2381B4-02041-XX			02
	B	N/A	Hank 02/22/16	Lucas 02/22/16	Ray 02/22/16	X.X ± 0.5 X.XX ± 0.2	X.XXX ± 0.05 ANGLES ± 1°	mm	1/1
THIRD ANGLE PROJECTION	SIZE	SCALE	DRAW / DATE	CHECK / DATE	APPROVE / DATE	TOLERANCES		UNIT	SHEET

GT Contact CO.,LTD

NOTICE OF PROPRIETARY PROPERTY:
 THE INFORMATION CONTAINED HEREIN IS THE PROPRIETARY PROPERTY OF GT Contact CO.,LTD THE POSSESSOR AGREES TO THE FOLLOWING:
 (a) TO MAINTAIN THIS DOCUMENT IN CONFIDENCE
 (b) NOT TO REPRODUCE OR COPY IT
 (c) NOT TO REVEAL OR PUBLISH IT IN WHOLE OR PART
 (d) ALL RIGHTS RESERVED