

1

2

3

4

Notes: (Unless Otherwise Specified)

- 1. Waterproof Rate: IP68.
- 2. Durability: 100 Cycles Min.
- 3. DWV: 650 Vrms.
- 4. Rated Voltage: 30V AC/DC.
- 5. Insulation Resistance: 100 MΩ MIN.
- 6. RoHS Compliant.

REV	ECN#	DESCRIPTION OF REVISION	DRAW BY DATE	CHECK BY DATE	APPROVE BY DATE
A1	ECN-180815	Modify Item No.6 Spring Material: SUS 302 --> SUS 304	Hank 08/13/18	Lucas 08/13/18	Ray 08/13/18

D

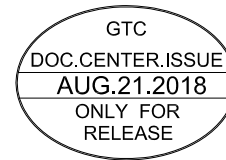
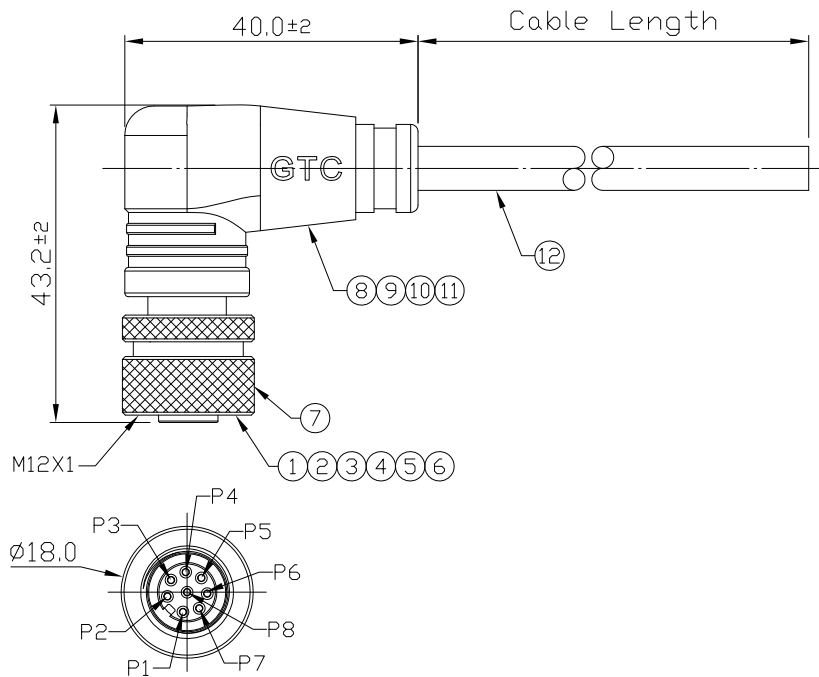
C

B

A

1	Brown
2	White
3	Blue
4	Red
5	Green
6	Yellow
7	Pink
8	Black
Shell	Drain

Wiring Diagram



GT2381A5-01081-10	10000mm	+500
GT2381A5-01081-09	9000mm	+450
GT2381A5-01081-08	8000mm	+400
GT2381A5-01081-07	7000mm	+150
GT2381A5-01081-06	6000mm	+150
GT2381A5-01081-05	5000mm	+150
GT2381A5-01081-04	4000mm	+150
GT2381A5-01081-03	3000mm	+100
GT2381A5-01081-02	2000mm	+100
GT2381A5-01081-01	1000mm	+50
GT2381A5-01081-Z9	900mm	+50
GT2381A5-01081-Z8	800mm	+50
GT2381A5-01081-Z7	700mm	+50
GT2381A5-01081-Z6	600mm	+50
GT2381A5-01081-Z5	500mm	+50
GT2381A5-01081-Z4	400mm	+50
GT2381A5-01081-Z3	300mm	+25
GT2381A5-01081-Z2	200mm	+25
Part No.	Cable Length	Tol.

6	Spring	SUS 304	1	12	Cable	UL2464 24AWG*8C+Al/My+D+AEB Color: Black, OD=6.0mm	1
5	Metal Shielded Gland	Copper Alloy Finish: Ni Plated	1	11	Over Mold	PVC Color: Black	1
4	Metal Shielded Bush	Copper Alloy Finish: Sn Plated	1	10	Inner Mold	Thermoplastic Color: White Or Black	1
3	O-Ring	Silicone Color: Red	1	9	Shrink Tube	L=10mm Color: Black	8
2	Contacts	Copper Alloy Finish: Au Plated	8	8	Glue	Epoxy Color: Black	
1	Housing	Thermoplastic Color: Black	1	7	Screw Nut	Copper Alloy Finish: Ni Plated	1
Item	Part Name	Material / Finish	Qty	Item	Part Name	Material / Finish	Qty

GT Contact CO.,LTD

NOTICE OF PROPRIETARY PROPERTY:
THE INFORMATION CONTAINED HEREIN IS THE PROPRIETARY PROPERTY OF GT Contact CO.,LTD THE POSSESSOR AGREES TO THE FOLLOWING:
(i) TO MAINTAIN THIS DOCUMENT IN CONFIDENCE
(ii) NOT TO REPRODUCE OR COPY IT
(iii) NOT TO REVEAL OR PUBLISH IT IN WHOLE OR PART
(iv) ALL RIGHTS RESERVED

TITLE M12 A-Coding 2A 8P Shielded Cable End 90° Without SR Female						DRAWING NUMBER GT2381A5-01081-XX		REV. A1	
	B	1:1	Hank 08/07/14	Lucas 08/07/14	Ray 08/07/14	X.X ± 0.5 X.XX ± 0.2	X.XXX ± 0.05 ANGLES ± 1°	mm	1/1
THIRD ANGLE PROJECTION	SIZE	SCALE	DRAW / DATE	CHECK / DATE	APPROVE / DATE	TOLERANCES		UNIT	SHEET

1

2

3

4

D

C

B

A