

1


2

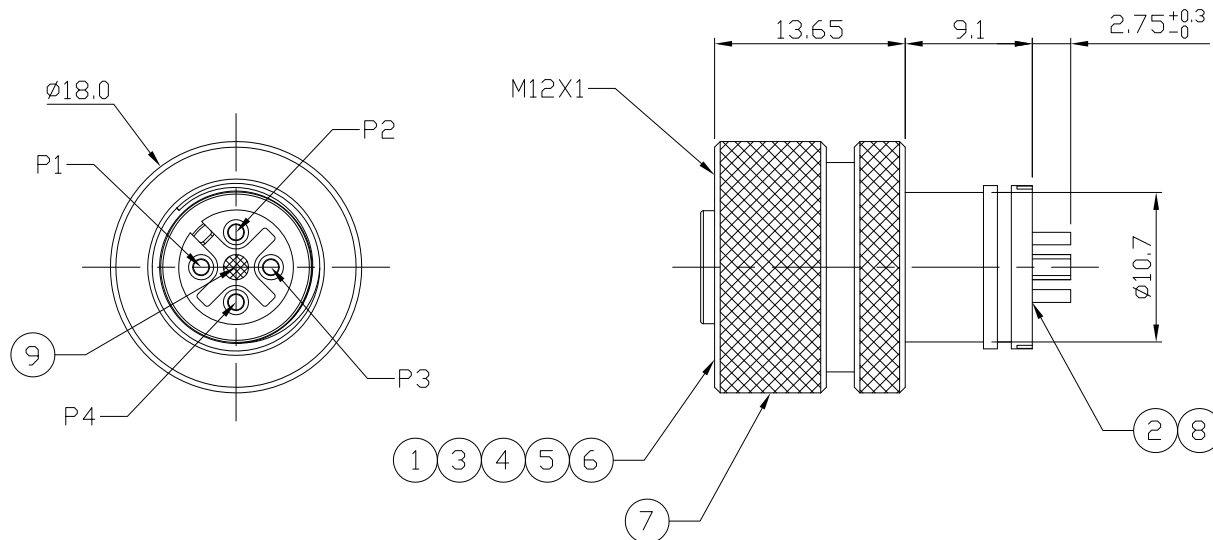
3


4

Notes: (Unless Otherwise Specified)

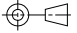
- 1. WaterProof Rate: IP68.
- 2. Durability: 100 Cycles Min.
- 3. DWV: 1400 Vrms.
- 4. Rated Voltage: 250V AC/DC.
- 5. Insulation Resistance: 100 MΩ MIN.
- 6. RoHS Compliant.

REV	ECN#	DESCRIPTION OF REVISION	DRAW BY DATE	CHECK BY DATE	APPROVE BY DATE
02	ECN-180815	 Modify Item No.6 Spring Material: SUS 302 --> SUS 304	Hank 08/13/18	Lucas 08/13/18	Ray 08/13/18



9	Gland Pin	Thermoplastic Color: Black	1
8	Glue	Epoxy Color: Black	
7	Screw Nut	Copper Alloy Finish: Ni Plated	1
6	Spring	SUS 304 	1
5	Metal Shielded Gland	Copper Alloy Finish: Ni Plated	1
4	Metal Shielded Bush	Copper Alloy Finish: Sn Plated	1
3	O-Ring	Silicone Color: Red	1
2	Contacts	Copper Alloy Finish: Au Plated	4
1	Housing	Thermoplastic Color: Black	1
Item	Part Name	Material / Finish	Q'ty

GTC
DOC.CENTER.ISSUE
AUG.21.2018
ONLY FOR
RELEASE

TITLE						DRAWING NUMBER			REV.
M12 A-Coding 4A 4P Shielded Cable End Female Without Molding Solder						GT2381A4-02040			02
	B	1:1	Joyce 05/05/17	Lucas 05/05/17	Ray 05/05/17	X.X ± 0.5 X.XX ± 0.2	X.XXX ± 0.05 ANGLES ± 1°	mm	1/1
THIRD ANGLE PROJECTION	SIZE	SCALE	DRAW / DATE	CHECK / DATE	APPROVE / DATE	TOLERANCES		UNIT	SHEET

GT Contact CO.,LTD

NOTICE OF PROPRIETARY PROPERTY:
THE INFORMATION CONTAINED HEREIN IS THE PROPRIETARY PROPERTY OF GT Contact CO.,LTD THE POSSESSOR AGREES TO THE FOLLOWING:
(a) TO MAINTAIN THIS DOCUMENT IN CONFIDENCE
(b) NOT TO REPRODUCE OR COPY IT
(c) NOT TO REVEAL OR PUBLISH IT IN WHOLE OR PART
(d) ALL RIGHTS RESERVED

1

2

3

4