

1

2

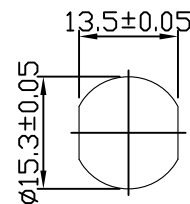
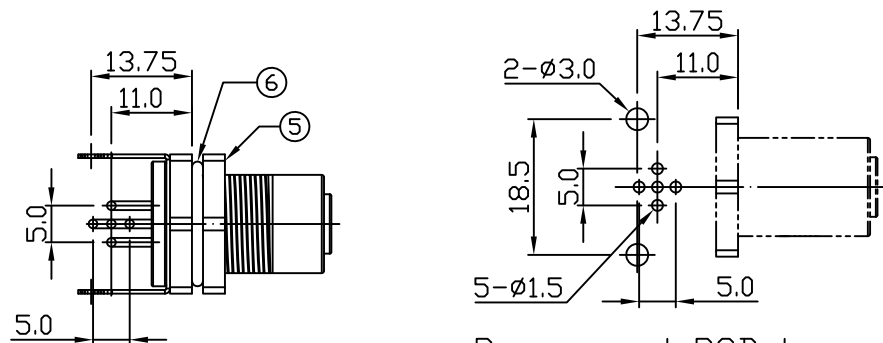
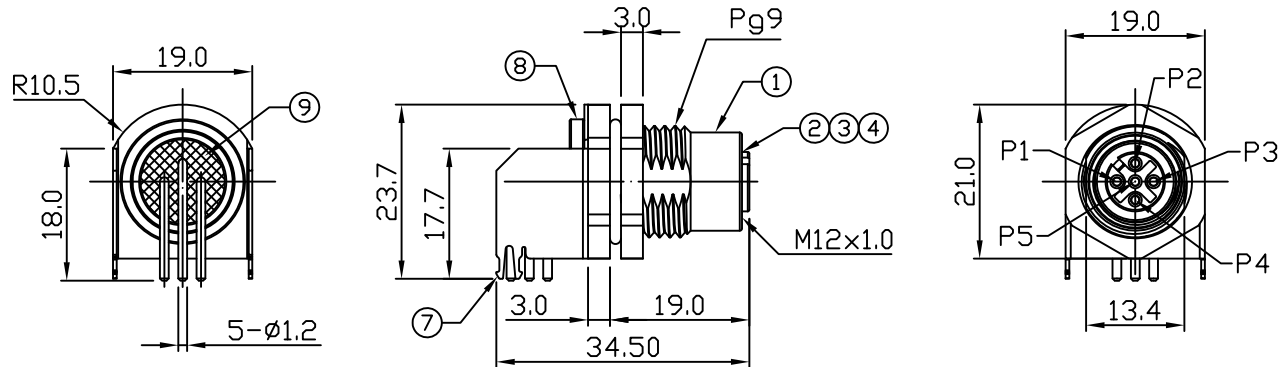
3

4

Notes: (Unless Otherwise Specified)

- 1. Waterproof Rate : IP68
- 2. Recommend Panel Thickness: 0.8 To 5.0 mm.
- 3. Recommend Torque: 14~15 Kgf-cm.
- 4. Durability: 100 Cycles Min.
- 5. DWV: 1000 Vrms
- 6. Rated Voltage: 60V AC/DC
- 7. Insulation Resistance: 100 MΩ MIN.
- 8. RoHS Compliant.

REV	ECN#	DESCRIPTION OF REVISION	DRAW BY DATE	CHECK BY DATE	APPROVE BY DATE
02	ECN-200821	Change Torque Of Screw Tightening: 9~10 kgf/cm → 14~15 kgf/cm.	Alleen 09/04/20	Lucas 09/04/20	Ray 09/04/20



Recommend Panel Cut-Out

Recommend PCB Layout Thickness for PCB: 1.6mm

9	Glue	Epoxy Color: Black	
8	Shell Ring	Copper Alloy Finish: Ni Plated	1
7	Shell	Copper Alloy Finish: Ni Plated	1
6	O-Ring	NBR Color: Black	1
5	Hex Nut	Copper Alloy Finish: Ni Plated	1
4	O-Ring	Silicone Color: Red	1
3	Contacts	Copper Alloy Finish: Au Plated	5
2	Housing	Thermoplastic Color: Black	1
1	Metal Body	Copper Alloy Finish: Ni Plated	1
Item	Part Name	Material / Finish	Q'ty

TITLE M12 A-Coding 4A 5P Shielding Panel Front Mount Female Dip 90°						DRAWING NUMBER GT238102-42050			REV. 02	
THIRD ANGLE PROJECTION	SIZE	SCALE	DRAW / DATE	CHECK / DATE	APPROVE / DATE	TOLERANCES	UNIT	SHEET		
	B	1:1	Hank 08/06/18	Lucas 08/06/18	Ray 08/06/18	X.X ± 0.5 X.XX ± 0.2	mm	1/1		
						X.XXX ± 0.05 ANGLES ± 1°				

GT Contact CO.,LTD

NOTICE OF PROPRIETARY PROPERTY:
THE INFORMATION CONTAINED HEREIN IS THE PROPRIETARY PROPERTY OF GT Contact CO.,LTD THE POSSESSOR AGREES TO THE FOLLOWING:
 (1) TO MAINTAIN THIS DOCUMENT IN CONFIDENCE
 (2) NOT TO REPRODUCE OR COPY IT
 (3) NOT TO REVEAL OR PUBLISH IT IN WHOLE OR PART
 (4) ALL RIGHTS RESERVED

1

2

3

4