

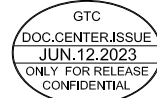
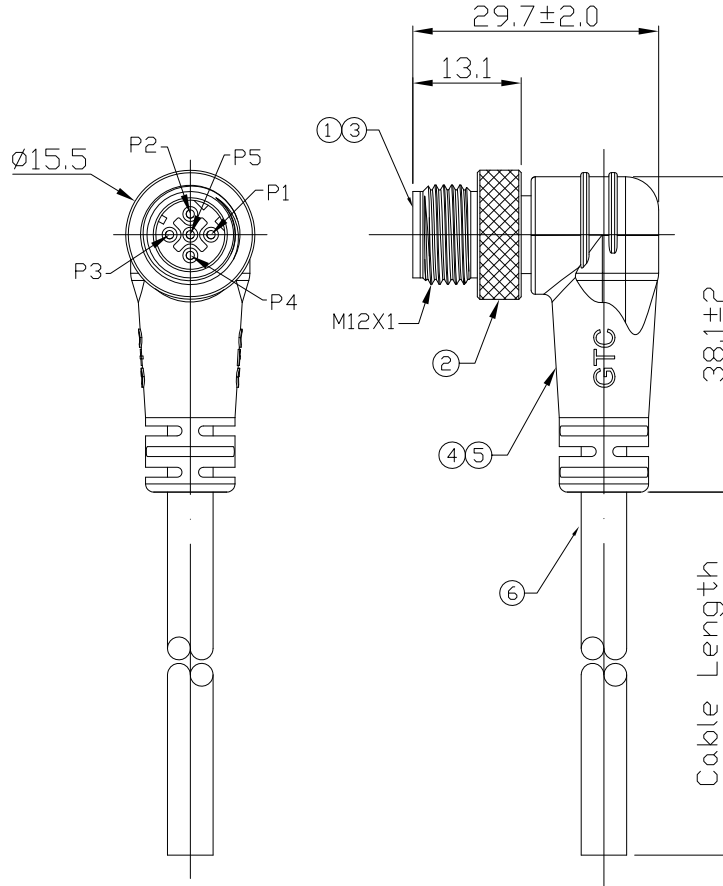
Notes: (Unless Otherwise Specified)

1. Waterproof Rate: IP68.
2. Durability 100 Cycles Min.
3. DWV: 1000 Vrms
4. Rated Voltage: 60V AC/DC.
5. Insulation Resistance: 100 MΩ Min.
6. RoHS Compliant.

REV	ECN#	DESCRIPTION OF REVISION	DRAW BY DATE	CHECK BY DATE	APPROVE BY DATE
01			Jenny 06/12/23	Hank 06/12/23	Lucas 06/12/23

1	Brown
2	Orange
3	Black
4	Yellow
5	Red

Wiring Diagram



GT234435-22051-10	10000 mm	+500
GT234435-22051-09	9000 mm	+450
GT234435-22051-08	8000 mm	+400
GT234435-22051-07	7000 mm	+150
GT234435-22051-06	6000 mm	+150
GT234435-22051-05	5000 mm	+150
GT234435-22051-04	4000 mm	+150
GT234435-22051-03	3000 mm	+100
GT234435-22051-02	2000 mm	+100
GT234435-22051-01	1000 mm	+50
GT234435-22051-Z9	900 mm	+50
GT234435-22051-Z8	800 mm	+50
GT234435-22051-Z7	700 mm	+50
GT234435-22051-Z6	600 mm	+50
GT234435-22051-Z5	500 mm	+50
GT234435-22051-Z4	400 mm	+50
GT234435-22051-Z3	300 mm	+25
GT234435-22051-Z2	200 mm	+25
Part No.	Cable Length	Tol.

6	Cable	UL2464 22AWG*5C+Talc (UV) Color: Black, OD=5.5mm	1
5	Over Mold	PVC Color: Black	1
4	Inner Mold	Thermoplastic Color: White	1
3	Contacts	Copper Alloy Finish: Au Plated	5
2	Screw Nut	Copper Alloy Finish: Ni Plated	1
1	Housing	Thermoplastic Color: Black	1
Item	Part Name	Material / Finish	Q'ty

TITLE						DRAWING NUMBER			REV.
M12 D-Coding 4A 5P Cable End 90° Male						GT234435-22051-XX			01
	B	1:1	Jenny 06/12/23	Hank 06/12/23	Lucas 06/12/23	X.X ± 0.5 X.XX ± 0.2	X.XXX ± 0.05 ANGLES ± 1°	mm	1/1
THIRD ANGLE PROJECTION	SIZE	SCALE	DRAW / DATE	CHECK / DATE	APPROVE / DATE	TOLERANCES		UNIT	SHEET

GT Contact CO.,LTD

NOTICE OF PROPRIETARY PROPERTY:
THE INFORMATION CONTAINED HEREIN IS THE PROPRIETARY PROPERTY OF GT Contact CO.,LTD THE POSSESSOR AGREES TO THE FOLLOWING:
(D) TO MAINTAIN THIS DOCUMENT IN CONFIDENCE
(D) NOT TO REPRODUCE OR COPY IT
(D) NOT TO REVEAL OR PUBLISH IT IN WHOLE OR PART
(D) ALL RIGHTS RESERVED