

1

2

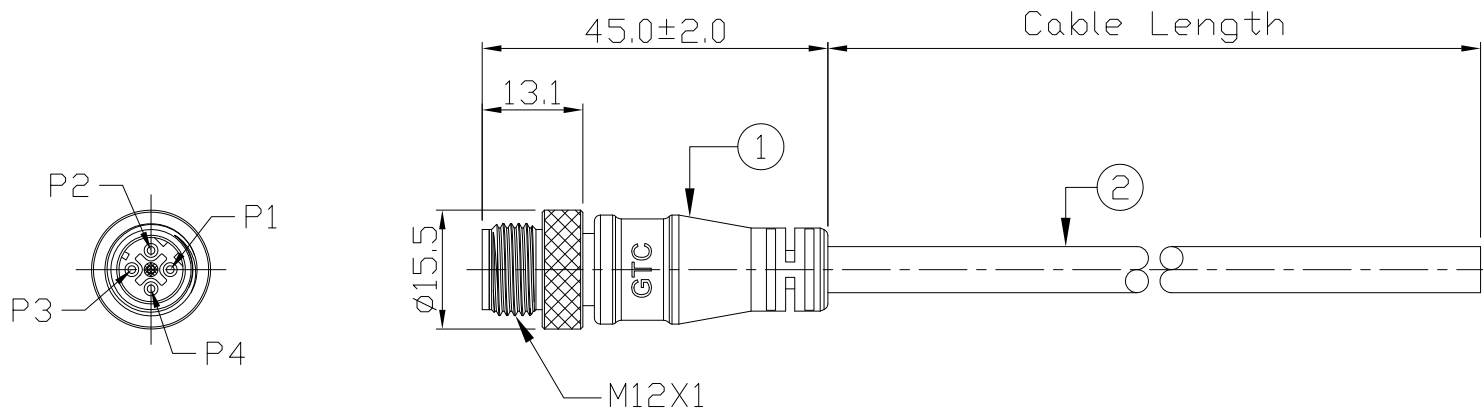
3

4

Notes: (Unless Otherwise Specified)

- 1. Waterproof Rate: IP68.
- 2. RoHS Compliant.

REV	ECN#	DESCRIPTION OF REVISION	DRAW BY DATE	CHECK BY DATE	APPROVE BY DATE
01			Aileen 07/02/21	Lucas 07/02/21	Ray 07/02/21



1	White/Orange
2	White/Green
3	Orange
4	Green

Wiring Diagram

GT234434-22046-10	10000 mm	+500
GT234434-22046-09	9000 mm	+450
GT234434-22046-08	8000 mm	+400
GT234434-22046-07	7000 mm	+150
GT234434-22046-06	6000 mm	+150
GT234434-22046-05	5000 mm	+150
GT234434-22046-04	4000 mm	+150
GT234434-22046-03	3000 mm	+100
GT234434-22046-02	2000 mm	+100
GT234434-22046-01	1000 mm	+50
GT234434-22046-29	900 mm	+50
GT234434-22046-28	800 mm	+50
GT234434-22046-27	700 mm	+50
GT234434-22046-26	600 mm	+50
GT234434-22046-25	500 mm	+50
GT234434-22046-24	400 mm	+50
GT234434-22046-23	300 mm	+25
GT234434-22046-22	200 mm	+25

Part No.	Cable Length	Tol.
----------	--------------	------

GT Contact CO.,LTD

NOTICE OF PROPRIETARY PROPERTY:
 THE INFORMATION CONTAINED HEREIN IS THE PROPRIETARY PROPERTY OF GT CONTACT CO.,LTD THE POSSESSOR AGREES TO THE FOLLOWING:
 (a) TO MAINTAIN THIS DOCUMENT IN CONFIDENCE
 (b) NOT TO REPRODUCE OR COPY IT
 (c) NOT TO REVEAL OR PUBLISH IT IN WHOLE OR PART
 (d) ALL RIGHTS RESERVED

2	Cable	CAT5E 24AWG*4P+Al/My+D+Jacket OD=6.0mm, Color: Black	1
1	M12 D-Coding 4A 4P Cable End Male	GT Contact P/N: GT234434-2204X	1
Item	Part Name	Material / Finish	Q'ty

TITLE						DRAWING NUMBER			REV.
M12 D-Coding 4A 4P Cable End Male With CAT5e Cable						GT234434-22046-XX			01
	B	1:1	Aileen 07/02/21	Lucas 07/02/21	Ray 07/02/21	X.X ± 0.5 X.XX ± 0.2	X.XXX ± 0.05 ANGLES ± 1°	mm	1/1
THIRD ANGLE PROJECTION	SIZE	SCALE	DRAW / DATE	CHECK / DATE	APPROVE / DATE	TOLERANCES		UNIT	SHEET

1

2

3

4